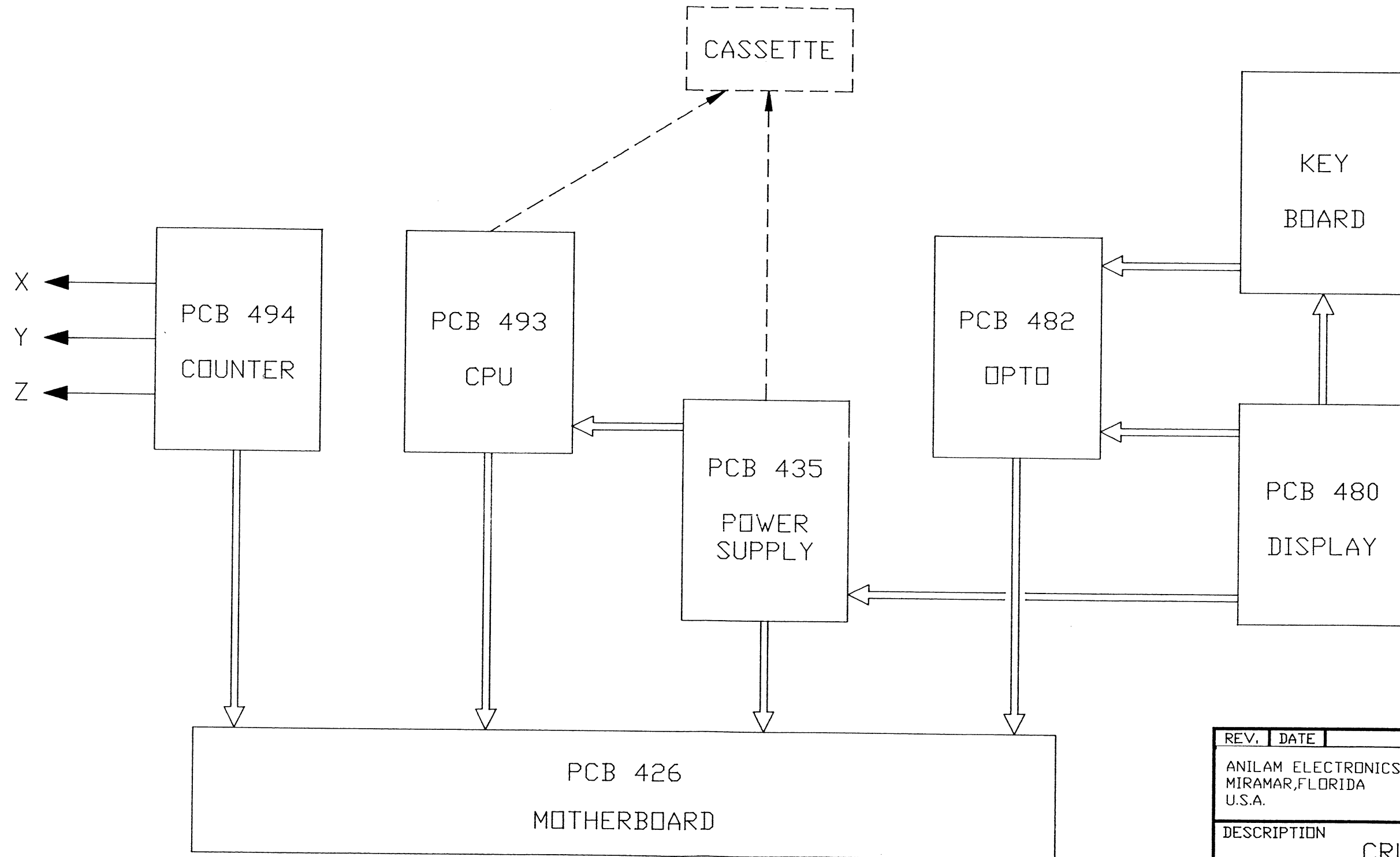


WIRING DIAGRAMS

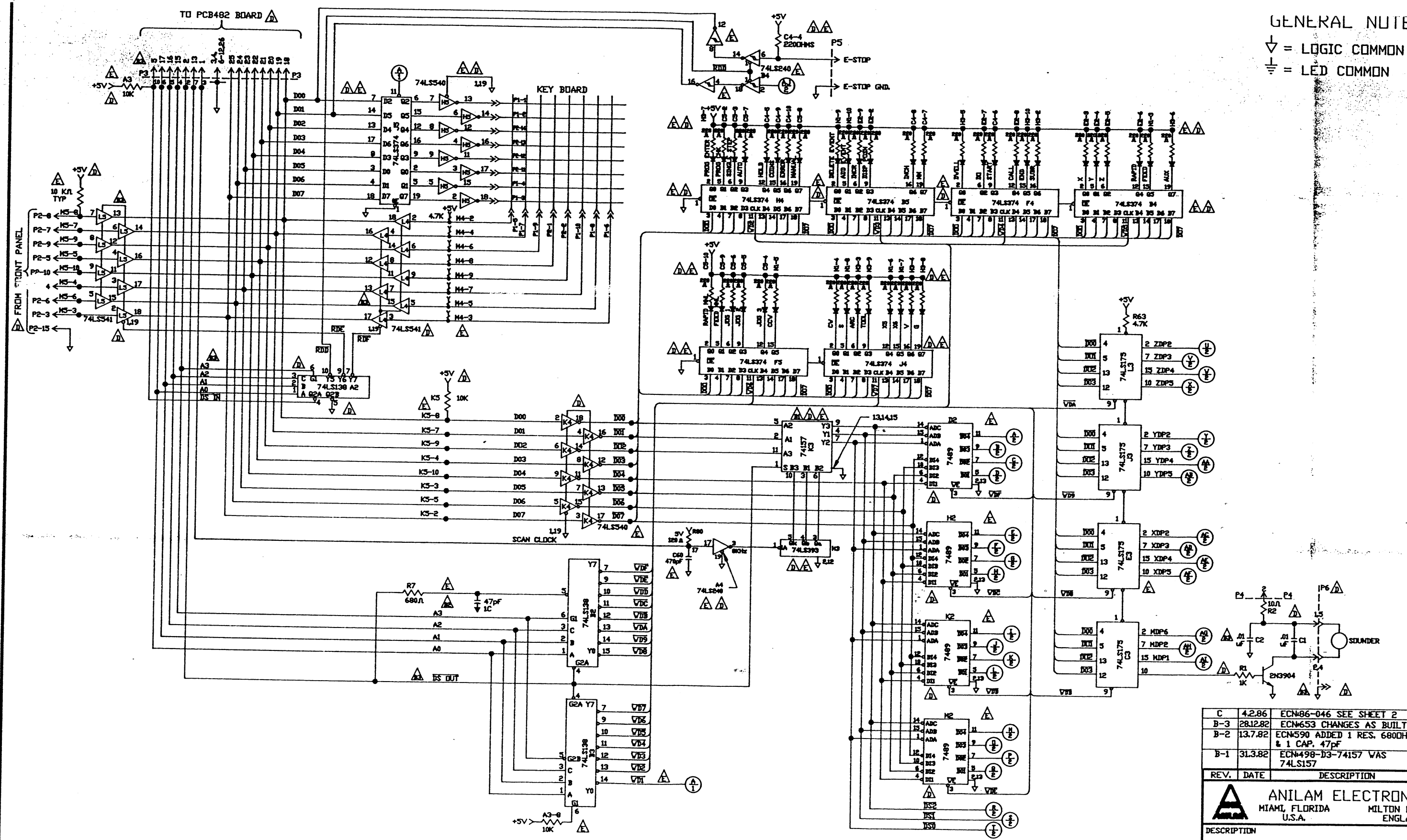
CRUSADER II

PH# 954-430-6600
 ANILAM INC
 3300 CORPORATE WAY
 (Hollywood) MIRAMAR FLORIDA
 USA

REV.	DATE	DESCRIPTION	BY
ANILAM Inc. Miramar, Florida U.S.A.		ANILAM	
DESCRIPTION ADDISON COMMUNICATIONS INC. 505 S. ADDISON RD. ADDISON, ILLINOIS 60101 PH #630-782-6981			
SCALE		CHECK BY	DATE
DRAWN BY	DATE	APP'D BY	DATE
DRAWING NO. 70000208 SHT OF			REV.



REV.	DATE	DESCRIPTION	BY
		ANILAM ELECTRONICS, INC. MIRAMAR, FLORIDA U.S.A.	ANILAM
DESCRIPTION CRUSADER BLOCK DIAGRAM			
SCALE		CHECK BY	DATE
DRAWN BY	DATE	APP'D BY	DATE
DRAWING NO.	SHT OF		REV.



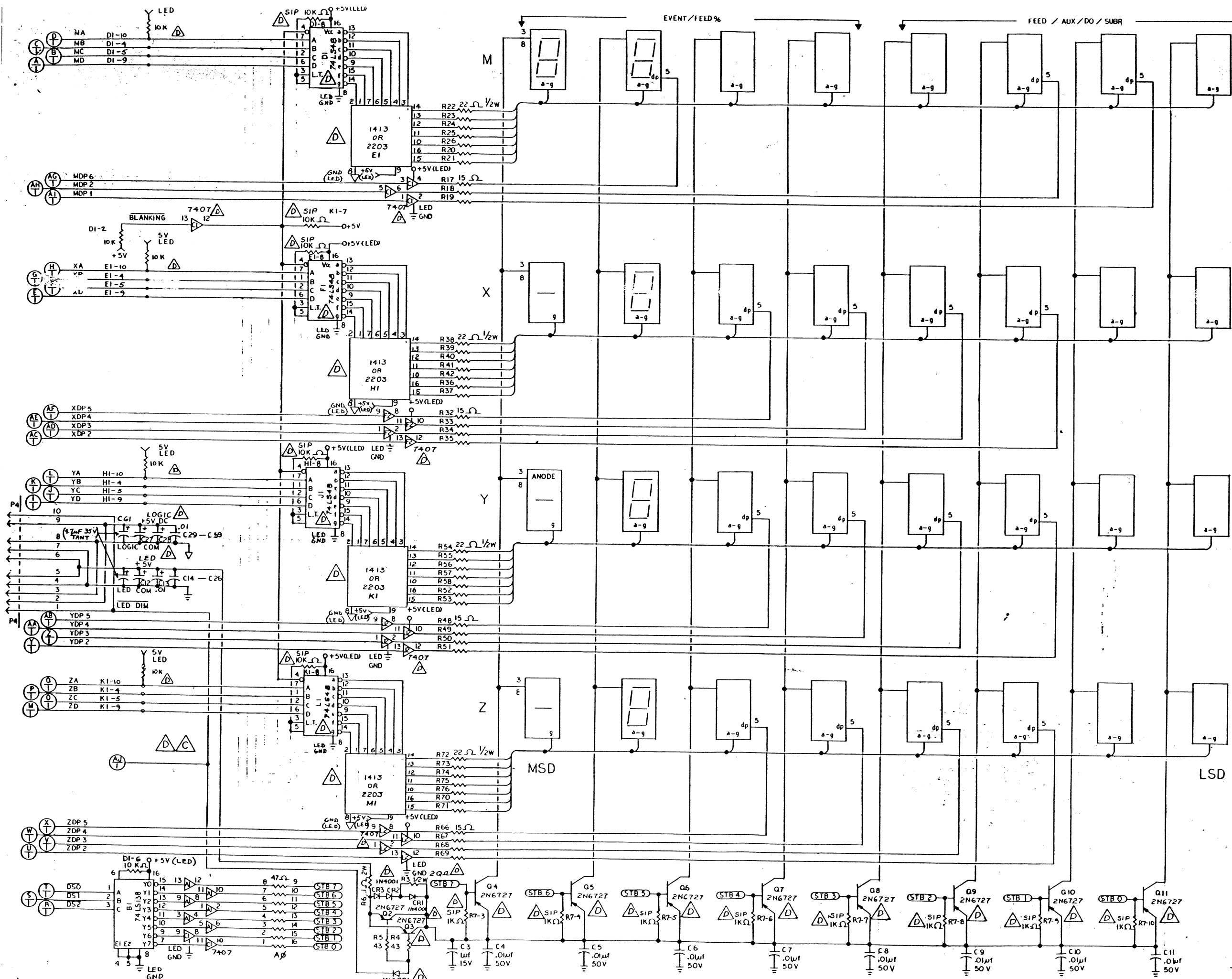
GENERAL NOTES
 ▽ = LOGIC COMMON
 ▽ = LED COMMON

C	4.2.86	ECN86-046 SEE SHEET 2	WM
B-3	28.12.82	ECN653 CHANGES AS BUILT	MK
B-2	13.7.82	ECN590 ADDED 1 RES. 680OHMS & 1 CAP. 47pF	MK
B-1	31.3.82	ECN498-D3-74157 WAS 74LS157	MK

REV. DATE DESCRIPTION BY
ANILAM ELECTRONICS
 MIAMI, FLORIDA MILTON KEYNES
 U.S.A. ENGLAND

DESCRIPTION
PCB 480
SCHEMATIC DISPLAY BOARD
 SCALE NONE CHECK BY DATE
 DRAWN BY ERD DATE 3/14/80 APP'D BY DATE
 DRAWING NO. 901-130 SH 1 OF 2 REV. E

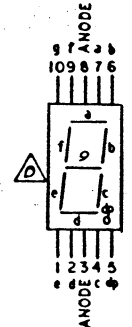
E	2.21.89	ECN89-016 CHANGES AS BUILT.	ERD
D	6.25.86	ECN85-157 74LS273 WAS 74LS173. 74LS541 WAS 74LS14. J5 WAS J5 & L5 (2 EA), L3 WAS L4 & M4(2 EA), L4 WAS M3 & M4. M5 WAS M5 & K5. INFORMATION ADDED WHERE INDICATED.	WM
REV.	DATE	DESCRIPTION	BY



GENERAL NOTES

- ↓ LOGIC COMMON
- ⊥ LED COMMON

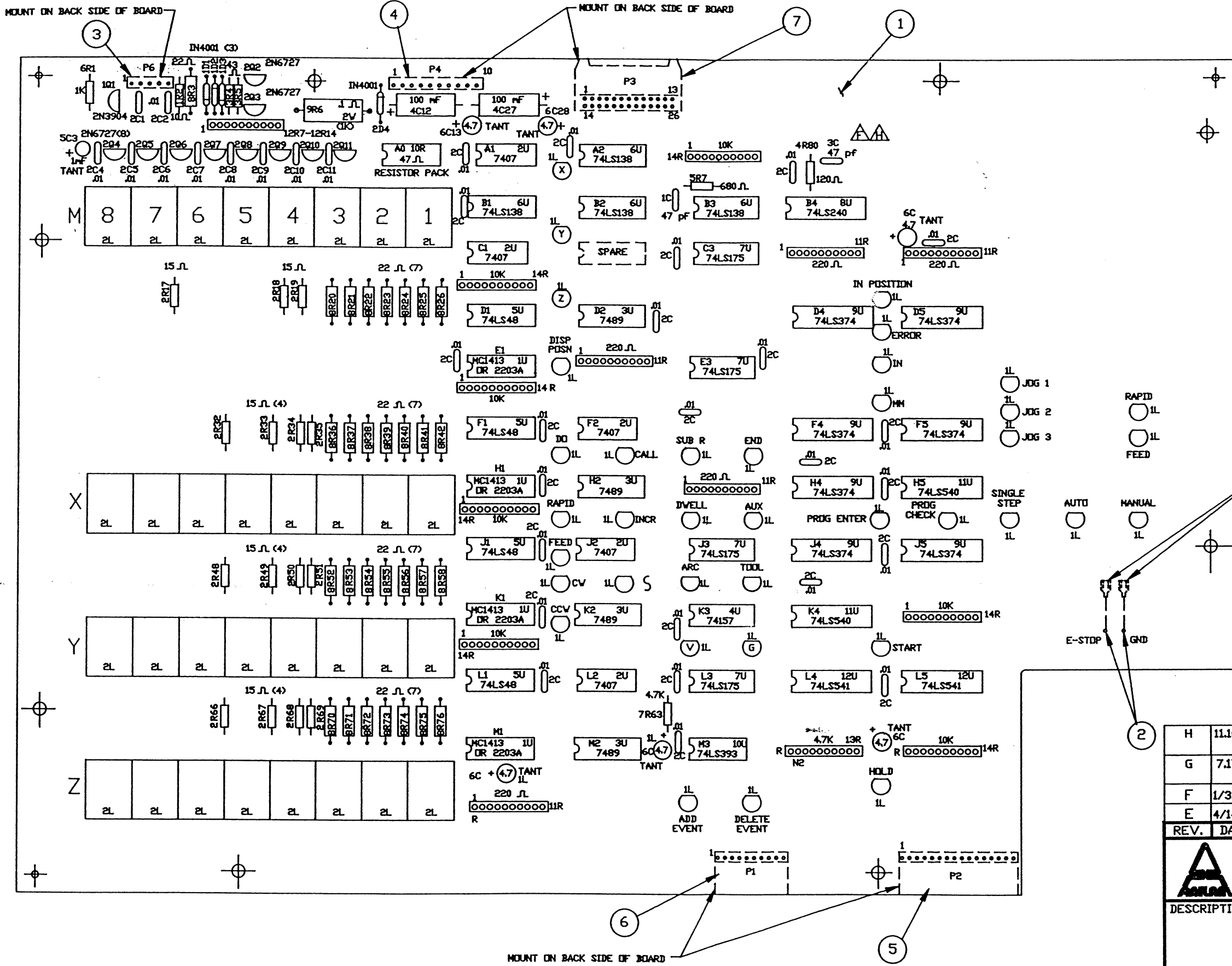
TOP VIEW



E	2.21.89	ECN: 89-016; REVISED AS BUILT.	RM
D	6/25/86	ICN: 85-151 SCHMITT TRIGGER DELETED; ADDED TO SMT 3 - ADDED CONN TO P-5-2. ENG TEST & SIP WARE. DR. PUSI & X. WOS; TOLSON HAS 2ND & 3RD PLACES. HI, HI 8 EL. ADDR. '1013 OR 2203' 4 PLACES. APPRO. C.S. 7471. C&B-CM. INFORMATION ADDR. AS NO. 8.	RM
C	4/2/86	ECN: 86-048 ADD SCHMITT TRIGGER TO DIN CIRCUIT	CS
ALT. NO.	DATE	DESCRIPTION	BY
		ANILAM ELECTRONICS MIAMI, FLORIDA U. S. A.	MILTON KEYNES ENGLAND
PCB-480			
SCHEMATIC DISPLAY BOARD			
SCALE NONE	CHECK BY	DATE	
DRAWN BY MK	DATE 3-13-80	APPROVED BY [Signature]	DATE 3-22-80
PART NO.	1	FORMING	BY

GENERAL NOTES

1. ALL UNMARKED RESISTORS 10KΩ 1/4W 5%.
2. ALL UNMARKED CAPS .01mf CER DISK.
3. P₁ & P₂ .100 CTRS. P₄, P₅ & P₆ .125 CTRS.
4. TRANSISTORS Q1 TO Q11 TO BE FOLDED DOWN 90°.



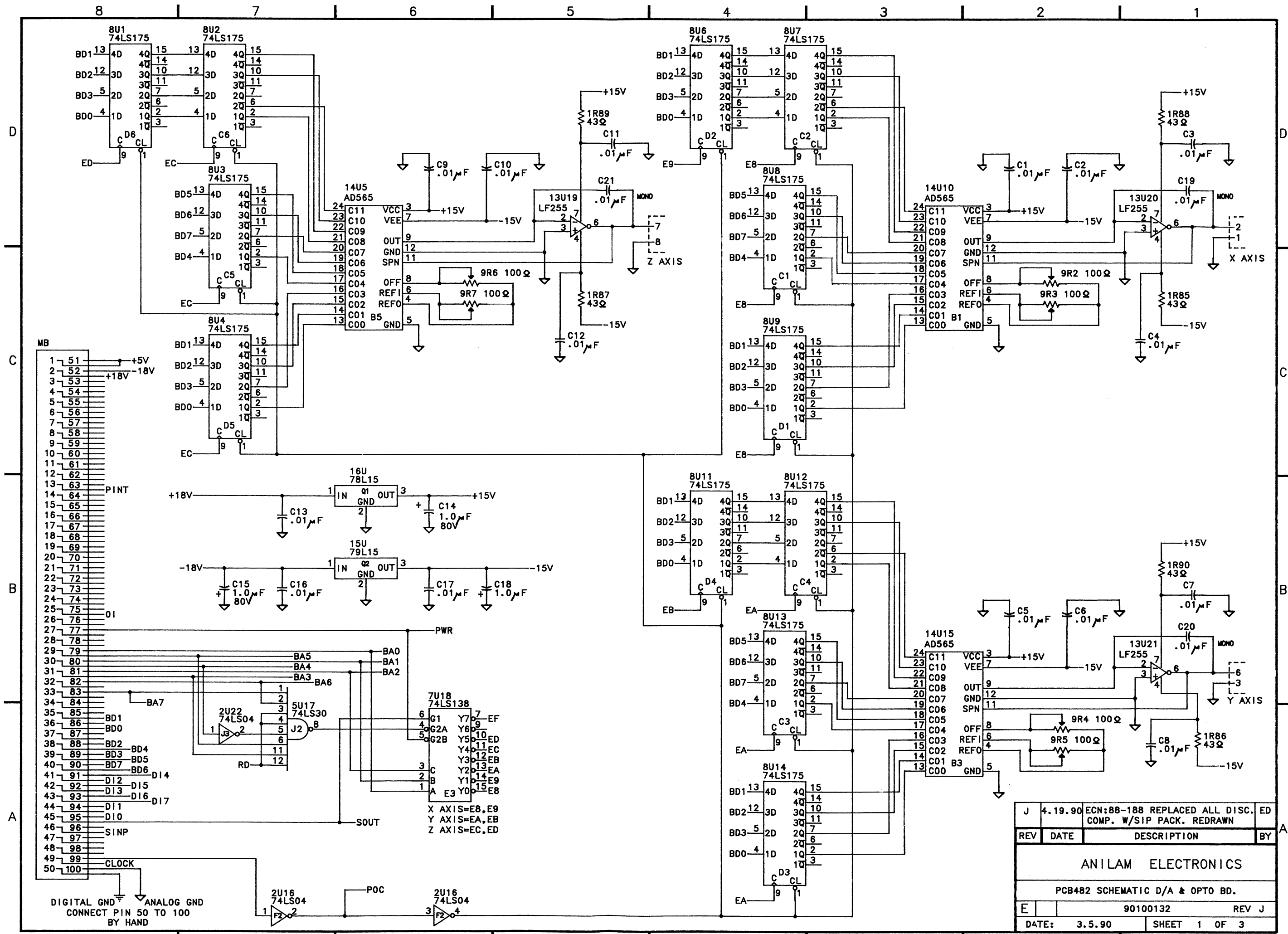
MOUNT ON BACK SIDE OF BOARD EMERG SW HARN ASSY #315-523 (2 REQ'D PER PCB ASSY).

REV.	DATE	DESCRIPTION	BY
H	11.16.89	ECN#89-212 CHANGED 3C FROM 470pf TO 47pf.	ERD
G	7.17.89	ECN#89-037 CHNG IT. 6U FROM 904-051 TO 904-133	ERD
F	1/31/89	ECN#89-009 3C WAS .02mf	ERD
E	4/14/87	ECN# 85-157 REDRAWN	WM

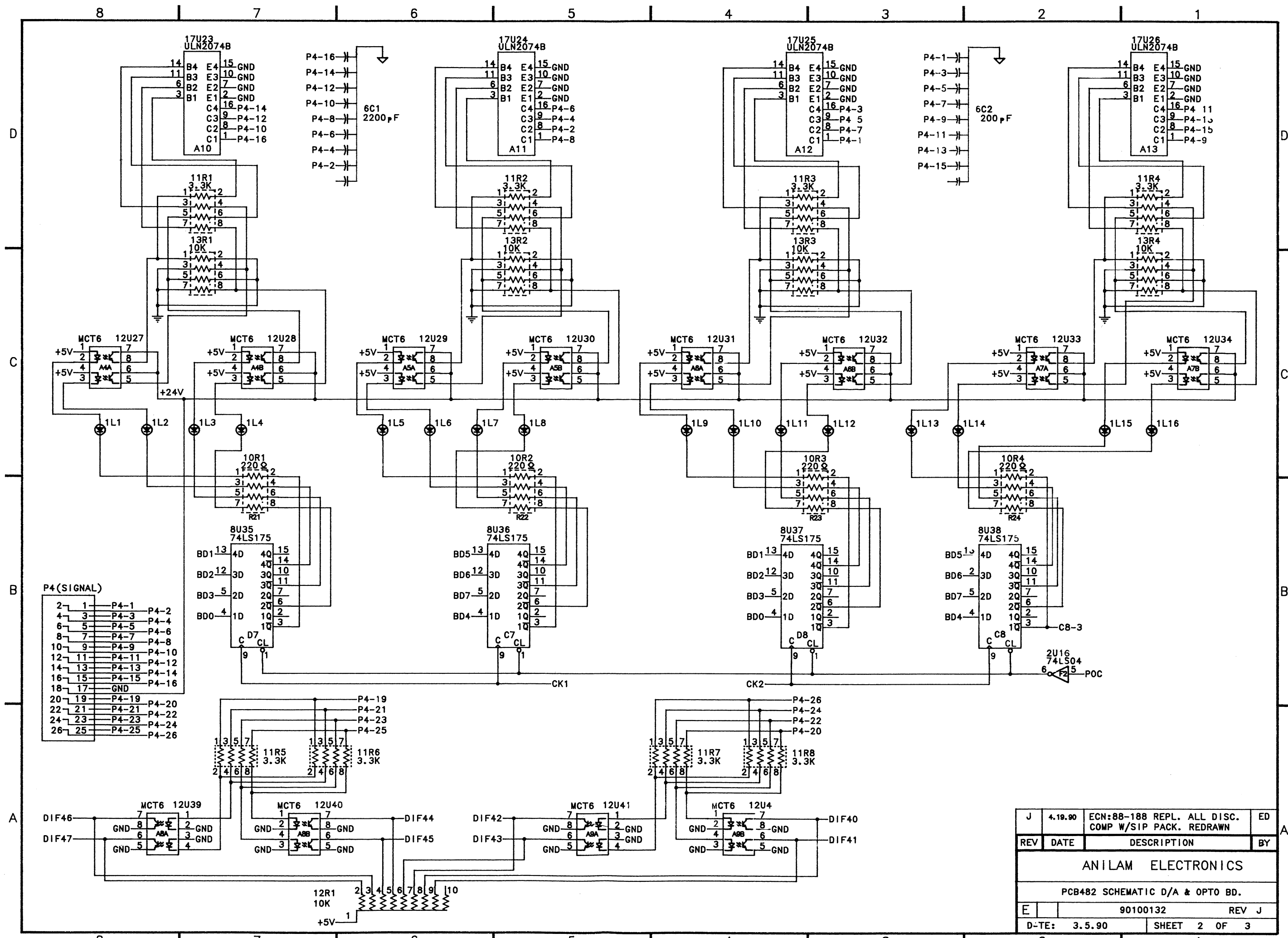
ANILAM ELECTRONICS
 MIAMI, FLORIDA MILTON KEYNES
 U.S.A. ENGLAND

DESCRIPTION
 PCB 480
 3-AXIS ASSEMBLY
 LED DISPLAY BOARD

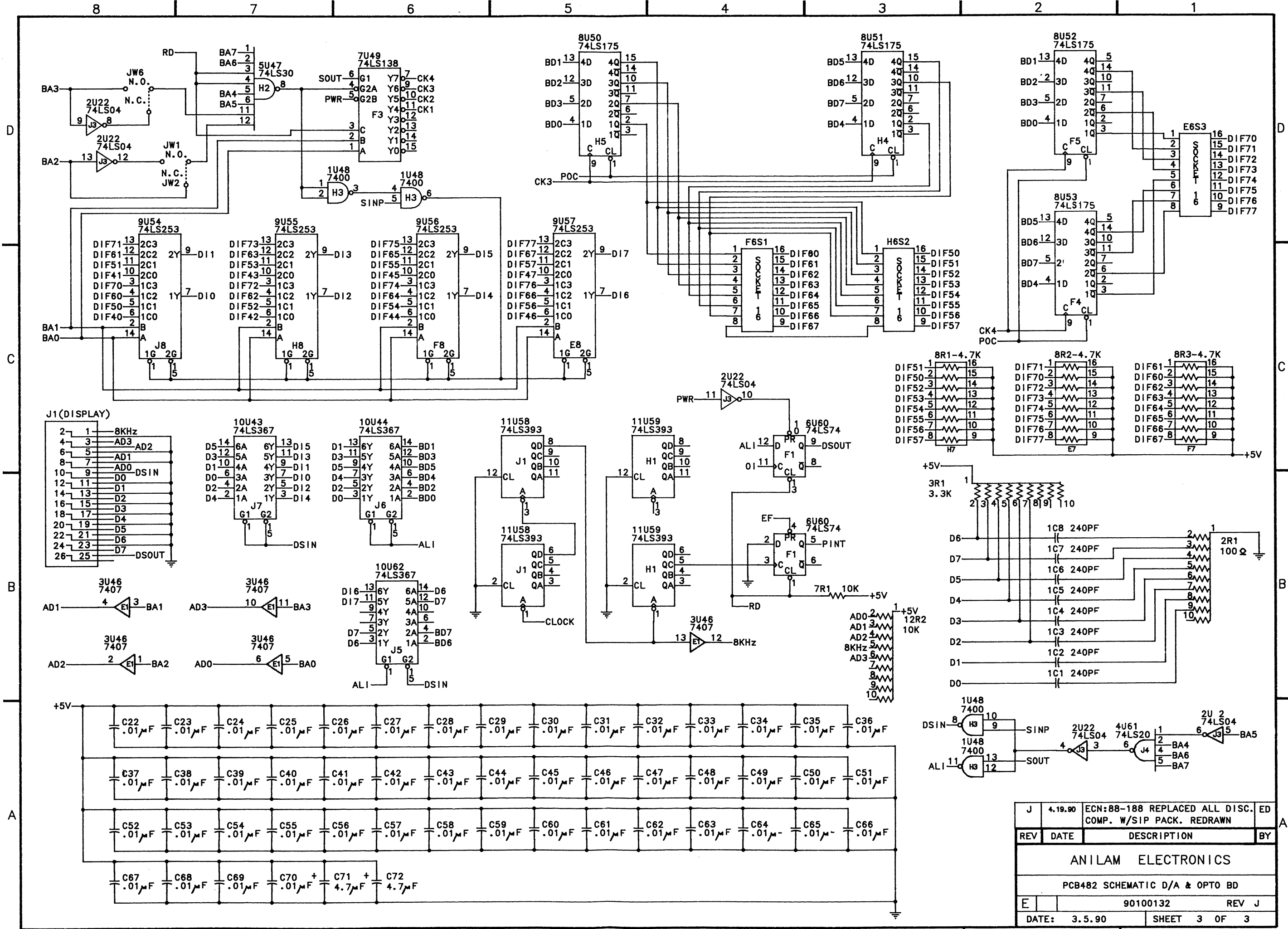
SCALE	NONE	CHECK BY	DATE
DRAWN BY	WM	DATE	4/14/87
DRAWING NO.	315-021	SHT	1 OF 1
REV.	H		



J	4.19.90	ECN:88-188 REPLACED ALL DISC. COMP. W/SIP PACK. REDRAWN	ED
REV	DATE	DESCRIPTION	BY
ANILAM ELECTRONICS			
PCB482 SCHEMATIC D/A & OPTO BD.			
E		90100132	REV J
DATE:	3.5.90	SHEET	1 OF 3

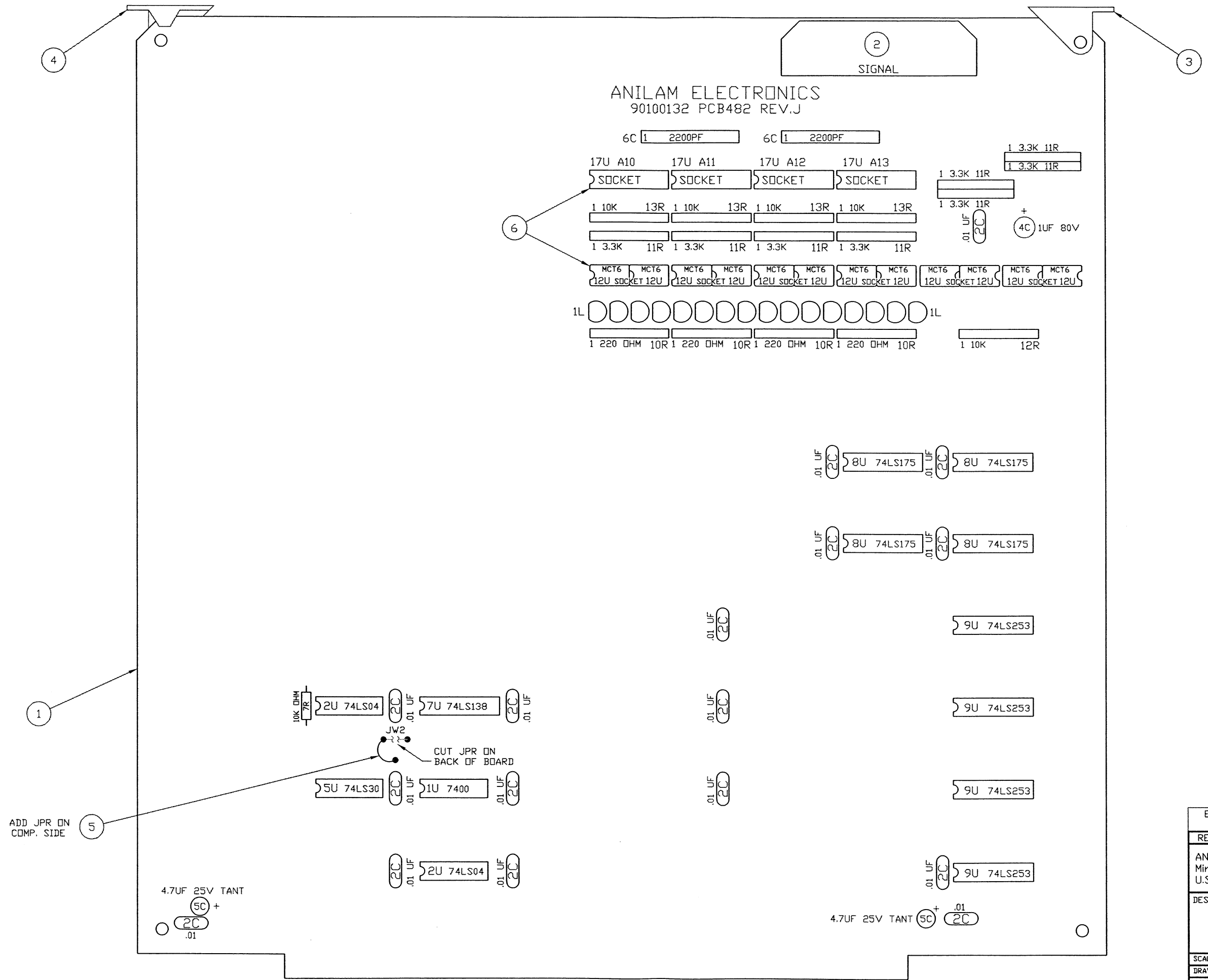


J	4.19.90	ECN:88-188 REPL. ALL DISC. COMP W/SIP PACK. REDRAWN	ED
REV	DATE	DESCRIPTION	BY
ANILAM ELECTRONICS			
PCB482 SCHEMATIC D/A & OPTO BD.			
E		90100132	REV J
D-TE:	3.5.90	SHEET	2 OF 3



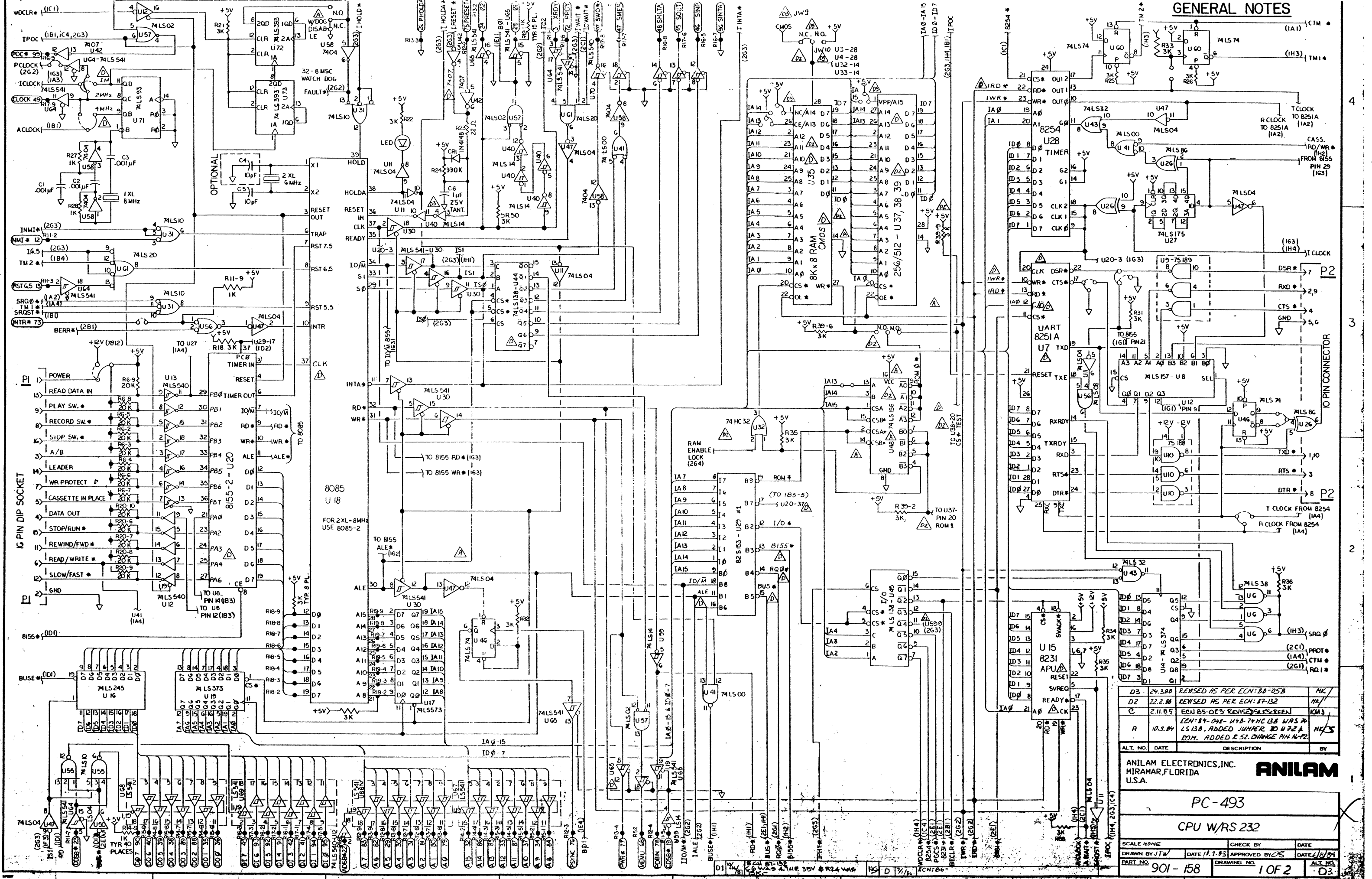
REV	DATE	DESCRIPTION	BY
J	4.19.90	ECN:88-188 REPLACED ALL DISC. COMP. W/SIP PACK. REDRAWN	ED
ANILAM ELECTRONICS			
PCB482 SCHEMATIC D/A & OPTO BD			
E		90100132	REV J
DATE:	3.5.90	SHEET	3 OF 3

ANILAM ELECTRONICS
90100132 PCB482 REV.J

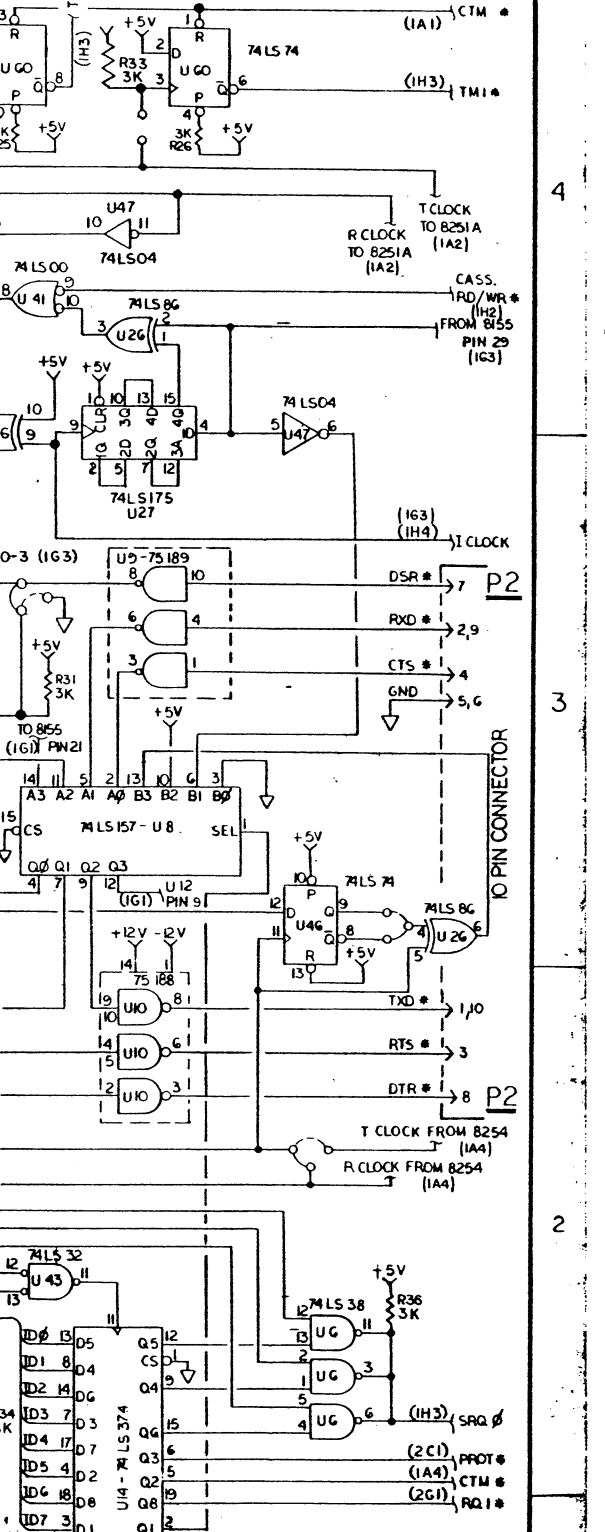


E	9.14.89	ECN:88-188 ASSY 315-019 WAS INCORPORATED INTO THIS DWG.	ERD
REV.	DATE	DESCRIPTION	BY
ANILAM Inc. Miramar, Florida U.S.A.		ANILAM	
DESCRIPTION			
PCB 482 CR ASSY, PORT EXPANDER 8IN/16 OUT			
SCALE	NONE	CHECK BY	DATE
DRAWN BY	ER	DATE	9.14.89
APP'D BY		DATE	
DRAWING NO.	31500031	SHT 1 OF 1	REV. E

All rights reserved. Subject to change without notice.



GENERAL NOTES



REV.	DATE	DESCRIPTION	BY
D3	24.3.88	REVISED AS PER ECN: 88-05B	HK
D2	22.2.88	REVISED AS PER ECN: 87-132	HK
C	2.11.85	ECN: 85-023 REVISED SILKSCREEN	KM3
A	10.9.84	ECN: 84-042 - U48-74HC 138 W/RS 74LS 138, ADDED JUMPER TO U72 & ROM. ADDED R 52. CHANGE PIN 14-P2.	HK/S

ANILAM ELECTRONICS, INC.
MIRAMAR, FLORIDA
U.S.A.

ANILAM

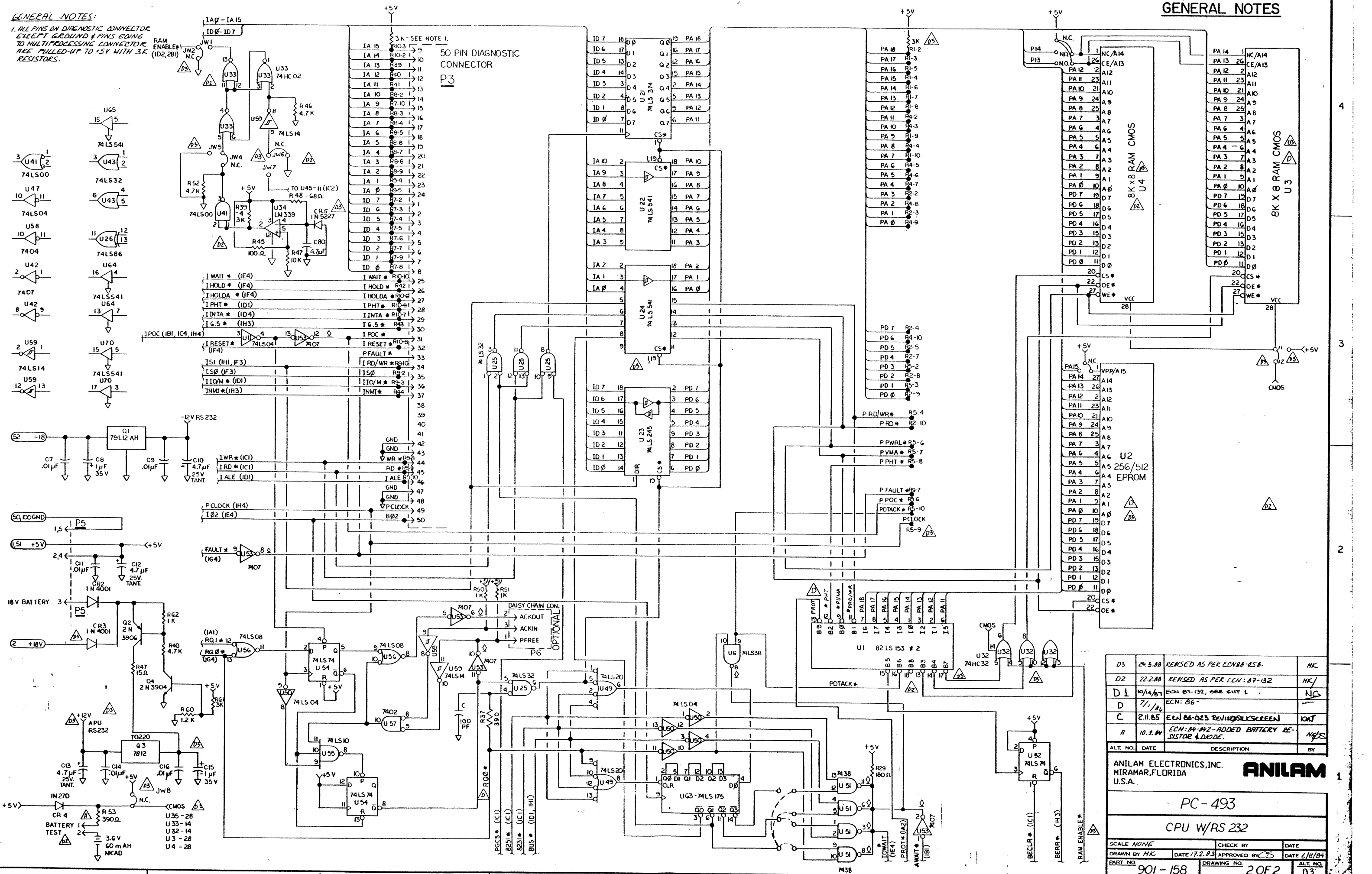
PC-493
CPU W/RS 232

SCALE NONE	CHECK BY	DATE
DRAWN BY JTW	DATE 11.7.83	APPROVED BY CS
PART NO. 901-158	DRAWING NO. 1 OF 2	ALT. NO. D3

GENERAL NOTES:

1. ALL PINS ON DIAGNOSTIC CONNECTOR EXCEPT GROUND PINS GOING TO MULTIPROCESSING CONNECTOR ARE PULLED-UP TO +5V WITH 3K RESISTORS.

GENERAL NOTES



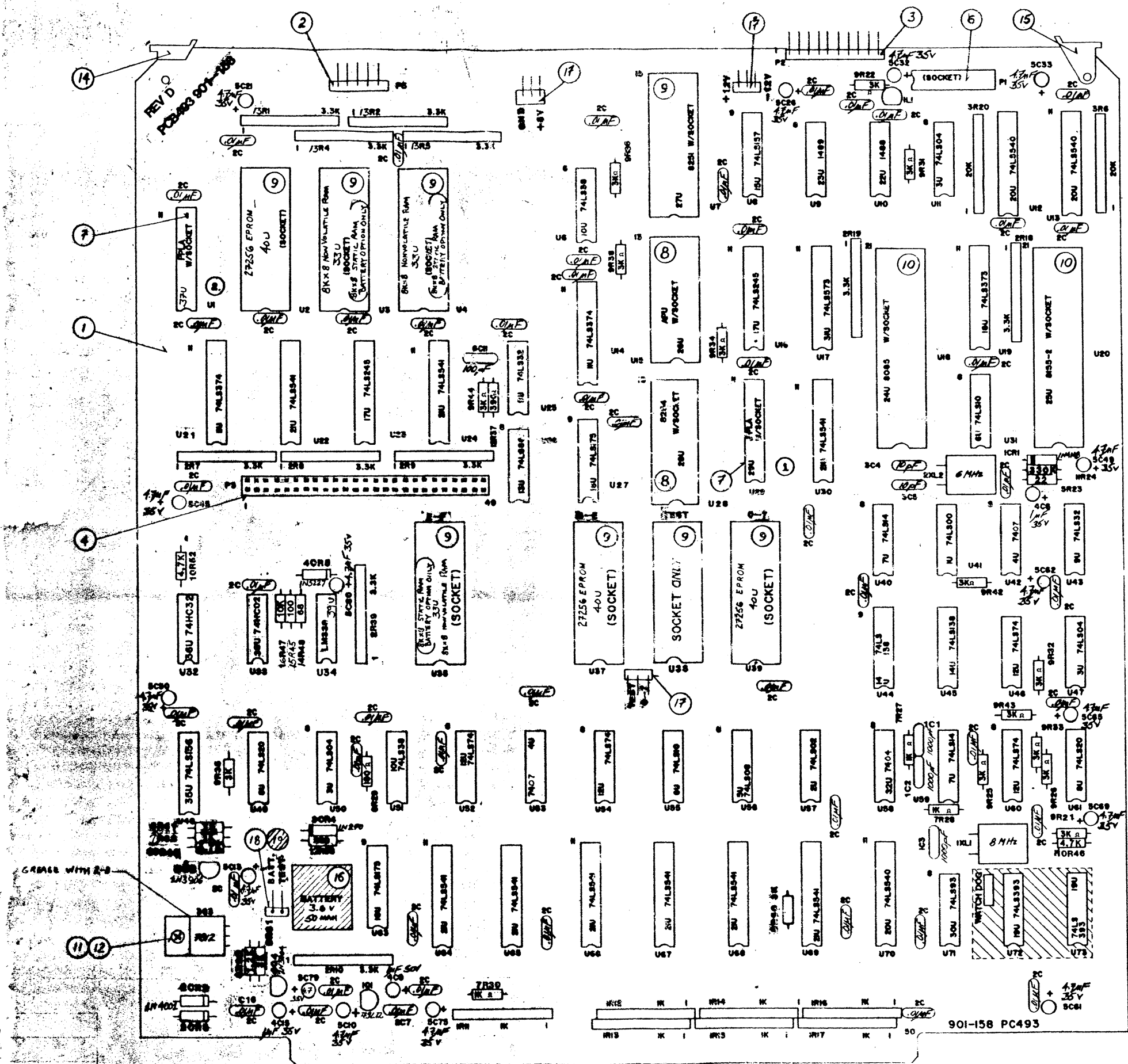
D3	24.3.88	REVISED AS PER EDN88-45B.	HK
D2	22.2.88	REVISED AS PER ECN: 87-132	HK/
D1	10/14/87	ECN 87-132, GER GHT 1	NG
D	7/1/86	ECN: 86-	
C	2.11.85	ECN 86-023 REVISED SILKSCREEN	KMT
A	10.9.84	ECN: 84-042-ADDED BATTERY RESISTOR & DIODE.	M/S
ALT. NO.	DATE	DESCRIPTION	BY

ANILAM ELECTRONICS, INC.
MIRAMAR, FLORIDA
U.S.A.

ANILAM

PC-493
CPU W/RS 232

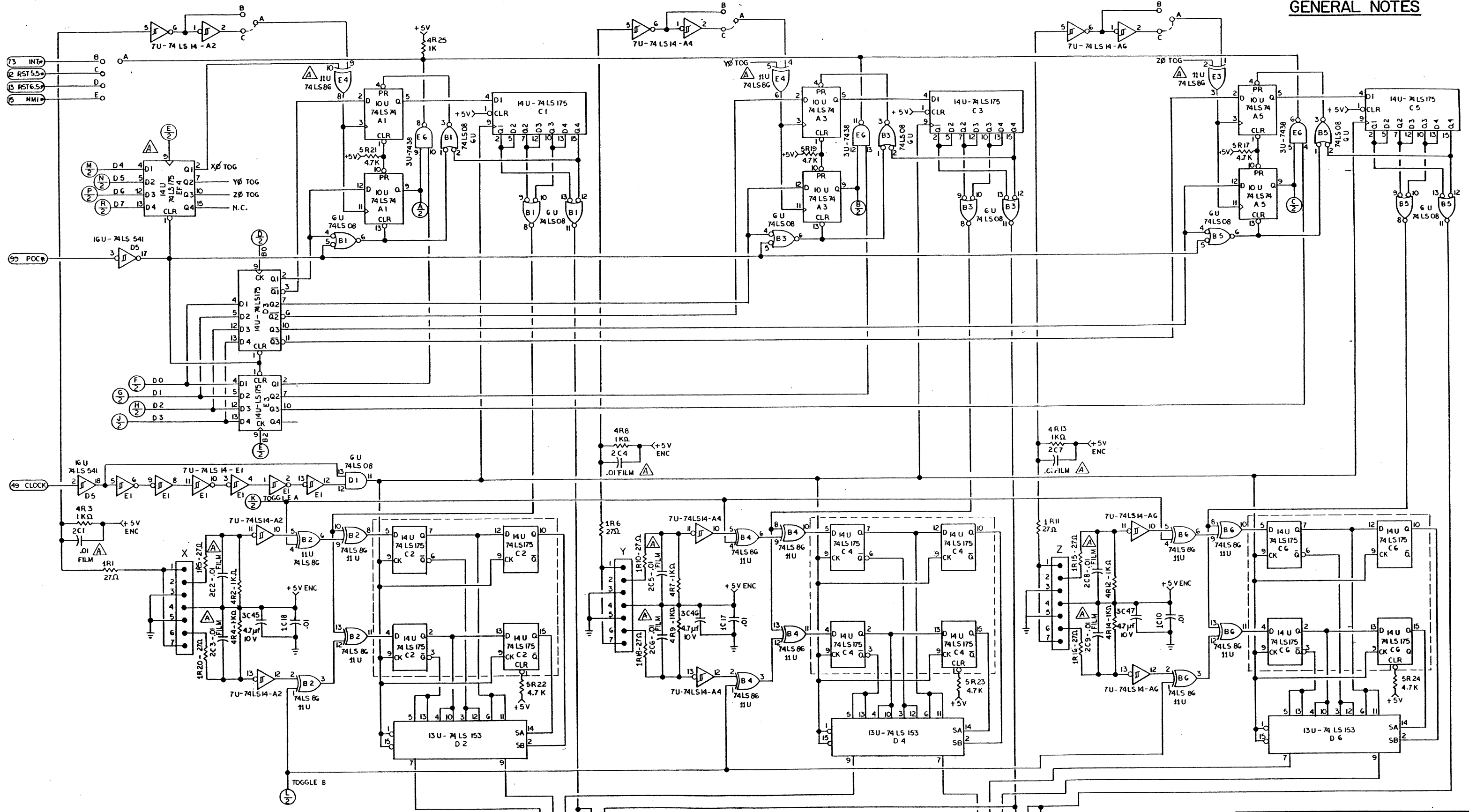
SCALE NONE	CHECK BY	DATE
DRAWN BY HK	DATE 7.2.83	APPROVED BY CS
PART NO 901-158	DRAWING NO 2 OF 2	ALT. NO D3



PART NO.	DESCRIPTION	ADD	REV
31500266	PCB493 CPU W/O BATT, ASS II SFTWR	35U-8Kx8	
31500363	PCB493 CPU W/O BATT, ASS II SFTWR	NONVOLATILE RAM	
31500291	PCB493 CPU W/O BATT, LATHE SFTWR		
31500371	PCB493 CPU W/O BATT, DEM SFTWR		
31500392	PCB493 CPU W/O BATT, ASS II SFTWR	17.16, 18 & #33	
31500374	PCB493 CPU W/O BATT, ASS II SFTWR	8Kx8 STATIC RAM	
31500373	PCB493 CPU W/O BATT, LATHE SFTWR		
31500315	PCB493 CPU W/O BATT, DEM SFTWR		
31500424	PCB493 CPU W/O BATT, GM SFTWR	33U-8Kx8 NONVOL	

A	26.10.90	ADDED PART No. 31500424	NR
ALT. NO.	DATE	DESCRIPTION	BY
ANILAM ELECTRONICS, INC. ANILAM MIRAMAR, FLORIDA U.S.A.			
ASSEMBLY			
PCB 493 CPU			
SCALE	2:1	CHECK BY	DATE
DRAWN BY	RM	DATE	1.20.87
APPROVED BY	US	DATE	10/7/87
PART NO.	D000385	DRAWING NO.	1 OF 1
ALT. NO.			A

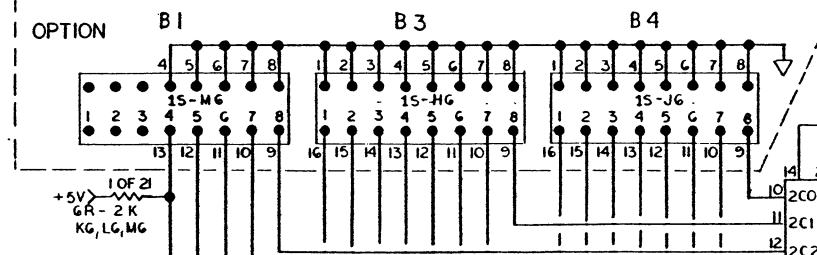
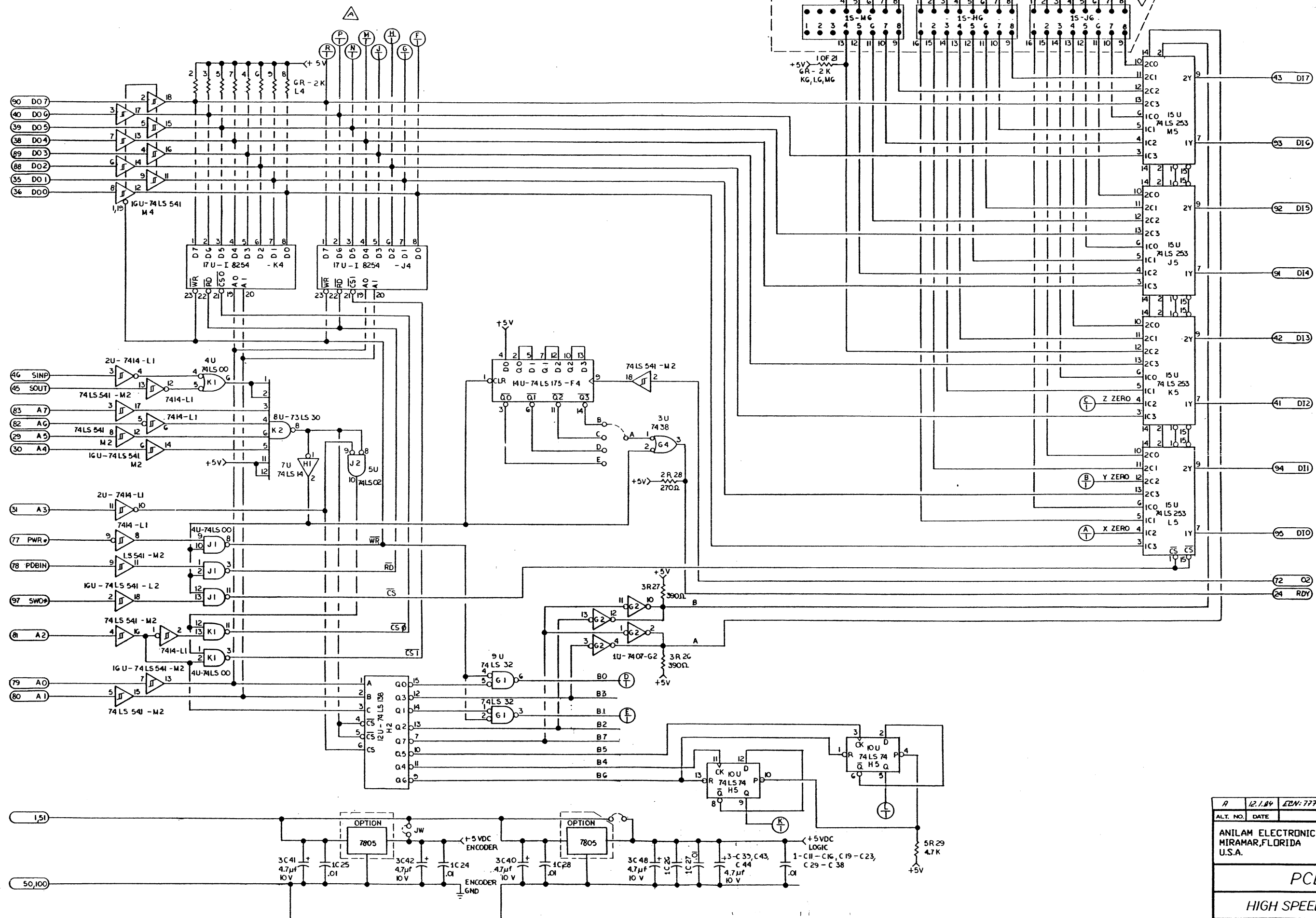
GENERAL NOTES



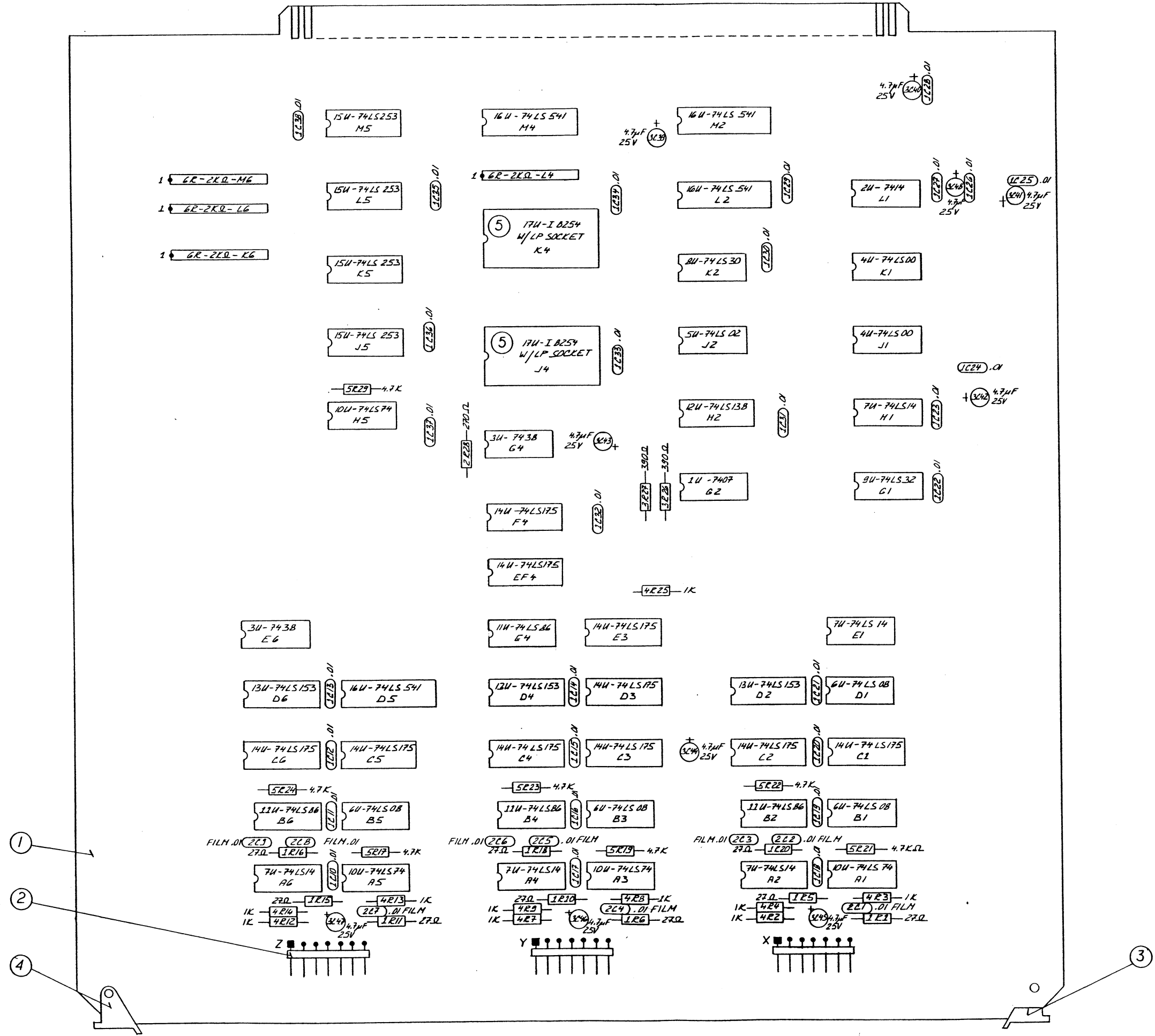
ALT. NO.	DATE	DESCRIPTION	BY
ANILAM ELECTRONICS, INC. MIRAMAR, FLORIDA U.S.A.			
ANILAM			
PCB-494			
HIGH SPEED COUNTER BOARD			
SCALE NONE	CHECK BY	DATE	
DRAWN BY HK	DATE 10.7.82	APPROVED BY JF	DATE 11/24/82
PART NO.	DRAWING NO.	ALT. NO.	
901-147	1 OF 2	A	

A 12.1.84 ECN: 777-ADDED 74LS175 & 74LS88.
.01 FILM WRS MOND. NK/S

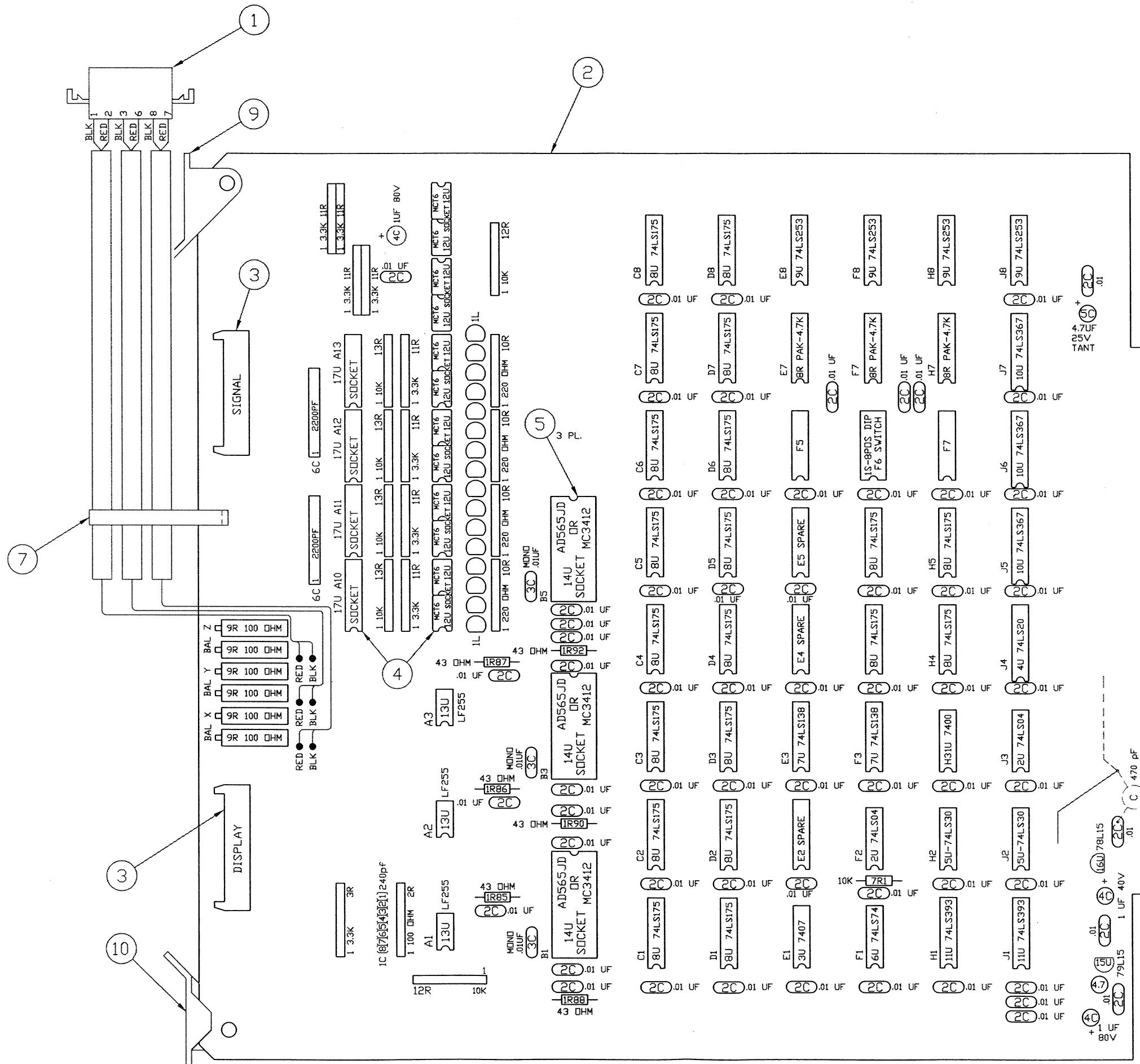
GENERAL NOTES



A	12.1.84	EDN: 777 - ADDED M, N, P, R, CONN.	HK
ALT. NO.	DATE	DESCRIPTION	BY
		ANILAM ELECTRONICS, INC. MIRAMAR, FLORIDA U.S.A.	ANILAM
PCB-494			
HIGH SPEED COUNTER BOARD			
SCALE	NONE	CHECK BY	DATE
DRAWN BY	HK	DATE	20.7.82
APPROVED BY	CHK	DATE	11/29/82
PART NO.	901-147	DRAWING NO.	2 OF 2
ALT. NO.			A



R	13.12.83	EDN:777-REDRAWN.	ME/5
ALT. NO.	DATE	DESCRIPTION	BY
		ANILAM ELECTRONICS, INC. MIRAMAR, FLORIDA U.S.A.	ANILAM
PCB 494			
HIGH SPEED COUNTER ASS'Y			
SCALE 2:1	CHECK BY	DATE	
DRAWN BY HK	DATE 15.10.82	APPROVED BY C.B.	DATE 11/11/82
PART NO.	DRAWING NO.	ALT. NO.	
315-046	1 OF 1	A	

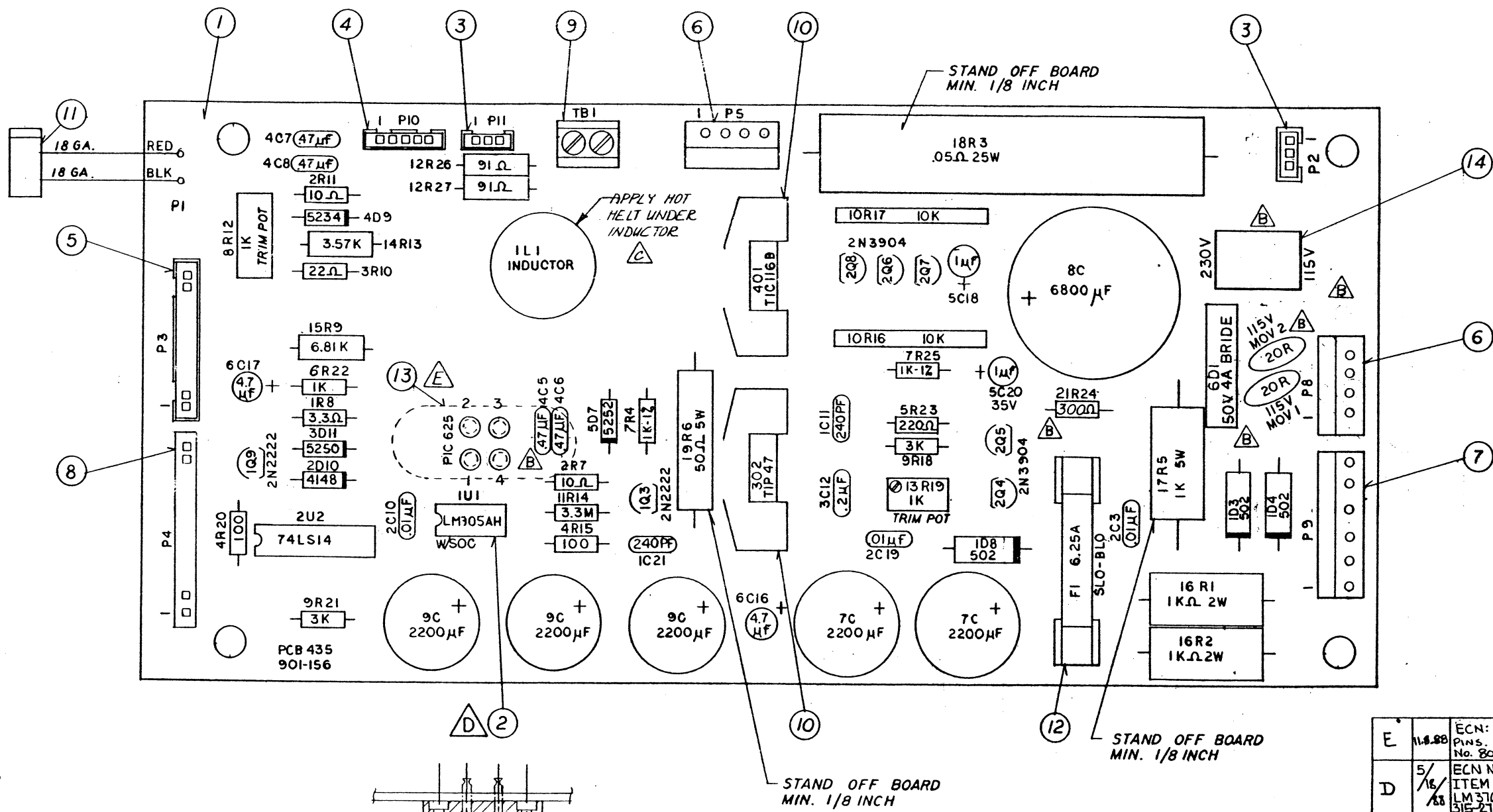


SOLDER ON BACK SIDE OF BOARD & SECURE WITH TAPE TO BOARD.

L	7.12.90	ECN:90-248 ADDED CAP. 470 PF.	MK
K	5.5.89	ECN:88-188 REV. DWG TO INCLUDE P/N 315-023 & 037 DWG. WAS REDRAWN	ERD
REV.	DATE	DESCRIPTION	BY
ANILAM Inc. Miramar, Florida U.S.A. ANILAM			
DESCRIPTION PCB 482 CR. ASSY DEM MOD. 3 AX D/A & OPTO			
SCALE	NONE	CHECK BY	DATE
DRAWN BY	ERD	DATE	1.18.90
DRAWING NO.	31500038	SHT	1 OF 1
REV.	L		

All rights reserved. Subject to change without notice.

GENERAL NOTES



REV.	DATE	DESCRIPTION	BY
E	11.8.88	ECN: 88-151 REMOVE TRANS PINS. ADDED SOCKET PART NO. 804-02B.	RM
D	5/18/88	ECN NO 88-089 ITEM 2 LM305AH WAS LM310N CHANGED TMS # 515-211 WAS 3000181	NC
C	2.7.87	ECN: 87-08-ADDED NOTE.	HK
B	12/3/85	ECN: 85-010 REPOSITION P2 4(2)HC'S DELETE LEGEND 4. P9 CONN; 21R24 WAS 5R24. 300Ω WAS 220Ω. RELOCATE MOV'S, 6D1 BRIDGE, DELER. PINS 5, 7, 9	KMJ
A	9/85	ECN: 85-112 ITEM 11 PART NO 302-304 WAS 307-301	KMJ

ANILAM ELECTRONICS, INC.
MIRAMAR, FLORIDA
U.S.A.

ANILAM

DESCRIPTION

ASSEMBLY

PCB 435 +5V/-18V PWR SPL

SCALE NONE CHECK BY DATE

DRAWN BY KMJ DATE 5/24/85 APPROVED BY DATE 5/17/85

DRAWING NO D000131 GHT 1 of 1 REV E

UNLESS OTHERWISE SPECIFIED

FINISHES

1 1/8

2 1/4

3 1/2

4 1/2

5 1/2

6 1/2

7 1/2

8 1/2

9 1/2

10 1/2

11 1/2

12 1/2

13 1/2

14 1/2

15 1/2

16 1/2

17 1/2

18 1/2

19 1/2

20 1/2

21 1/2

22 1/2

23 1/2

24 1/2

25 1/2

26 1/2

27 1/2

28 1/2

29 1/2

30 1/2

31 1/2

32 1/2

33 1/2

34 1/2

35 1/2

36 1/2

37 1/2

38 1/2

39 1/2

40 1/2

41 1/2

42 1/2

43 1/2

44 1/2

45 1/2

46 1/2

47 1/2

48 1/2

49 1/2

50 1/2

51 1/2

52 1/2

53 1/2

54 1/2

55 1/2

56 1/2

57 1/2

58 1/2

59 1/2

60 1/2

61 1/2

62 1/2

63 1/2

64 1/2

65 1/2

66 1/2

67 1/2

68 1/2

69 1/2

70 1/2

71 1/2

72 1/2

73 1/2

74 1/2

75 1/2

76 1/2

77 1/2

78 1/2

79 1/2

80 1/2

81 1/2

82 1/2

83 1/2

84 1/2

85 1/2

86 1/2

87 1/2

88 1/2

89 1/2

90 1/2

91 1/2

92 1/2

93 1/2

94 1/2

95 1/2

96 1/2

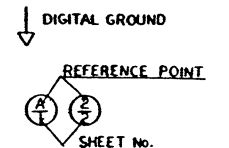
97 1/2

98 1/2

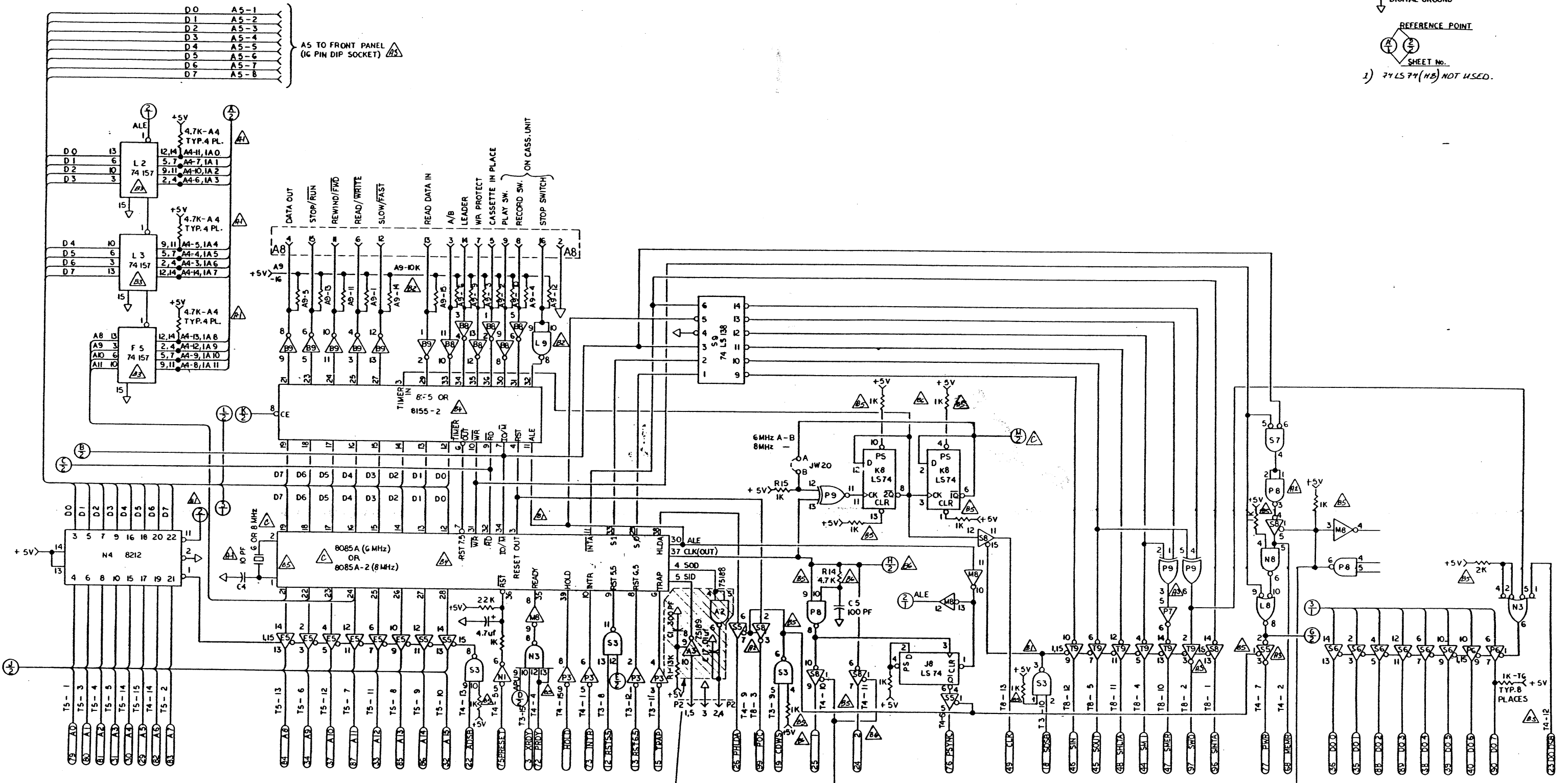
99 1/2

100 1/2

GENERAL NOTES



1) 74LS74 (NB) NOT USED.



DELETED - PC #99 IS USED FOR SERIAL I/O TRANSY.

ALT. NO.	DATE	DESCRIPTION	BY
C	8.12.83	ECN: 774 - ADDED LINE TO H/2, IC'S 8085A, 8155 & CRYSTAL 6MHz.	MK/CS
B6	10.5.83	ECN: 705 - R4 - 4.7K WAS 470Ω & REMOVED CONECT. H/2.	MK/CS
B5	28.12.82	ECN: 650 - CHANGES AS BUILT.	MK/CS
B-9	12.8.82	ECN: 588 - ADDED PINS DESIGNATION TO IC 80532 & 8085A-2	MK/CS
B-3	10.3.82	ECN: 477 - REVERSE SHT #2	MK/CS
B2	15.1.82	ECN: 464 - CHANGE L2, L3, L5 74LS7 WAS 74LS15.	MK/CS
B2	4.11.81	ECN: 446 - ADDED RESISTOR PACK R9 & CHANGE SYMBOL L9.	MK/CS
B1	12.5.81	CHANGES AS BUILT	MK
B	21APR81	REV WIRING FOR L5, H5 AND 2732, ADDED L1 FT. NO. SEE SHT 2	JJ/HK

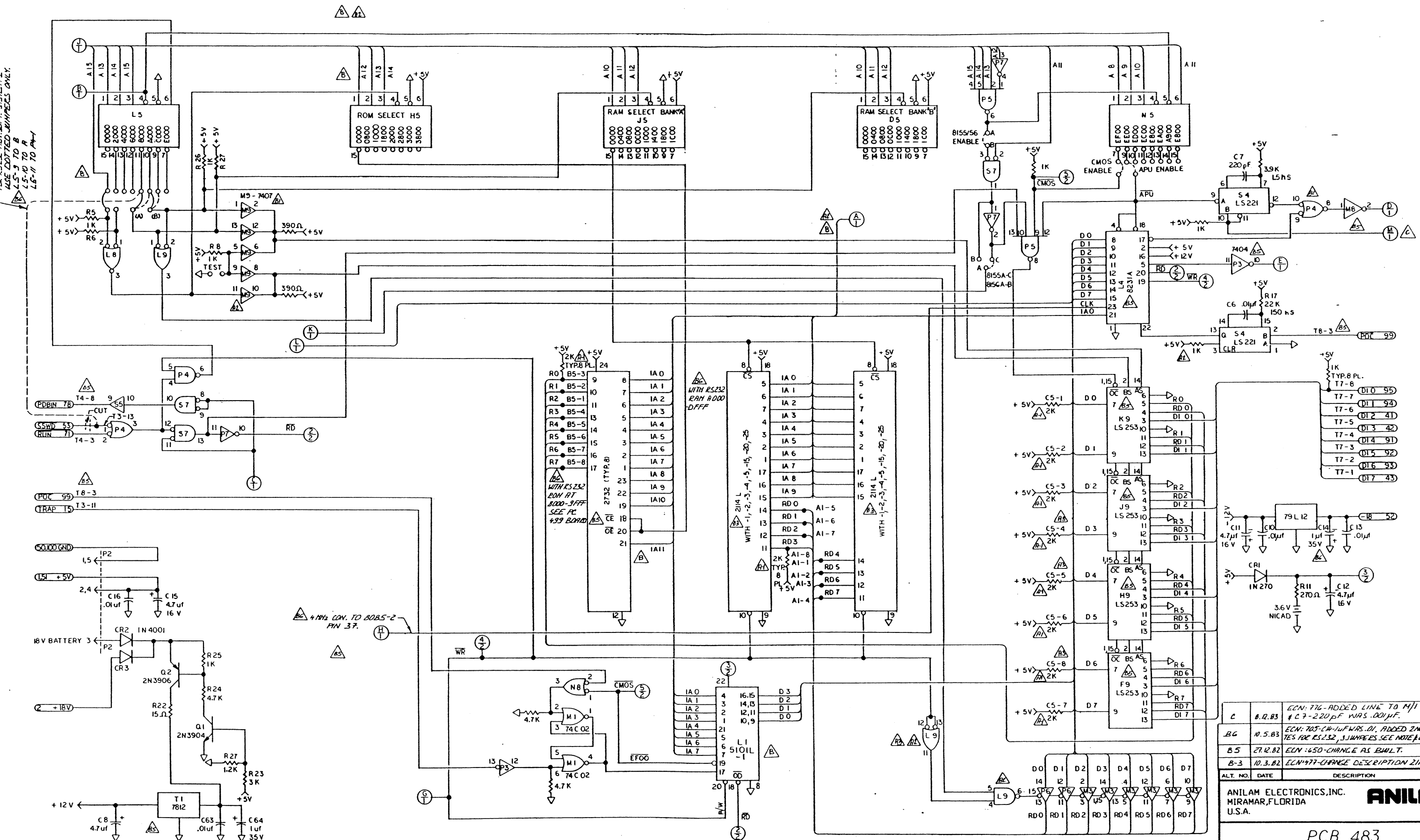
ALT. NO.	DATE	DESCRIPTION	BY
A-3	15.12.80	CHANGES AS BUILT	MK/CS
A-2	7.11.80	CHANGES AS BUILT	MK
A-1	6.10.80	ADDED R4-3 + R4-14 & 4.7K-R4. CHANGE: 2K WAS 1K & 10PF WAS 20PF. REMOVED C3.	MK

ANILAM ELECTRONICS, INC.
MIRAMAR, FLORIDA
U.S.A.

ANILAM

PCB 483
CPU SCHEMATIC

SCALE	NONE	CHECK BY	DATE
DRAWN BY	MK	DATE	7-24-81
APPROVED BY	C. P.	DATE	4-30-81
PART NO.	90F-133/B	REV	001 SH. 1 OF 2
ALT. NO.		BY	C



PLEASE CHECK FOR CORRECT JUMPS ONLY.
 USE DOTTED LINES ONLY.
 L5-9 TO B
 L5-10 TO A
 L6-11 TO A

C	8.2.83	ECN: 716-ADDED LINE TO M/1 # C7-220 pF WAS .001 uF.	MK/ce
B6	10.5.83	ECN: 705-CH-1 uF W/RS. DI. ADDED 2ND TES FOR RS 232, 3 JUMPS SEE NOTE # 101	MK/ce
B5	27.12.82	EDN-650-CHANGE AS BUILT.	MK/ce
B-3	10.3.82	ECN#77-CHANGE DESCRIPTION 2114L	MK/ce

ALT. NO. DATE DESCRIPTION BY

ANILAM ELECTRONICS, INC.
 MIRAMAR, FLORIDA
 U.S.A.




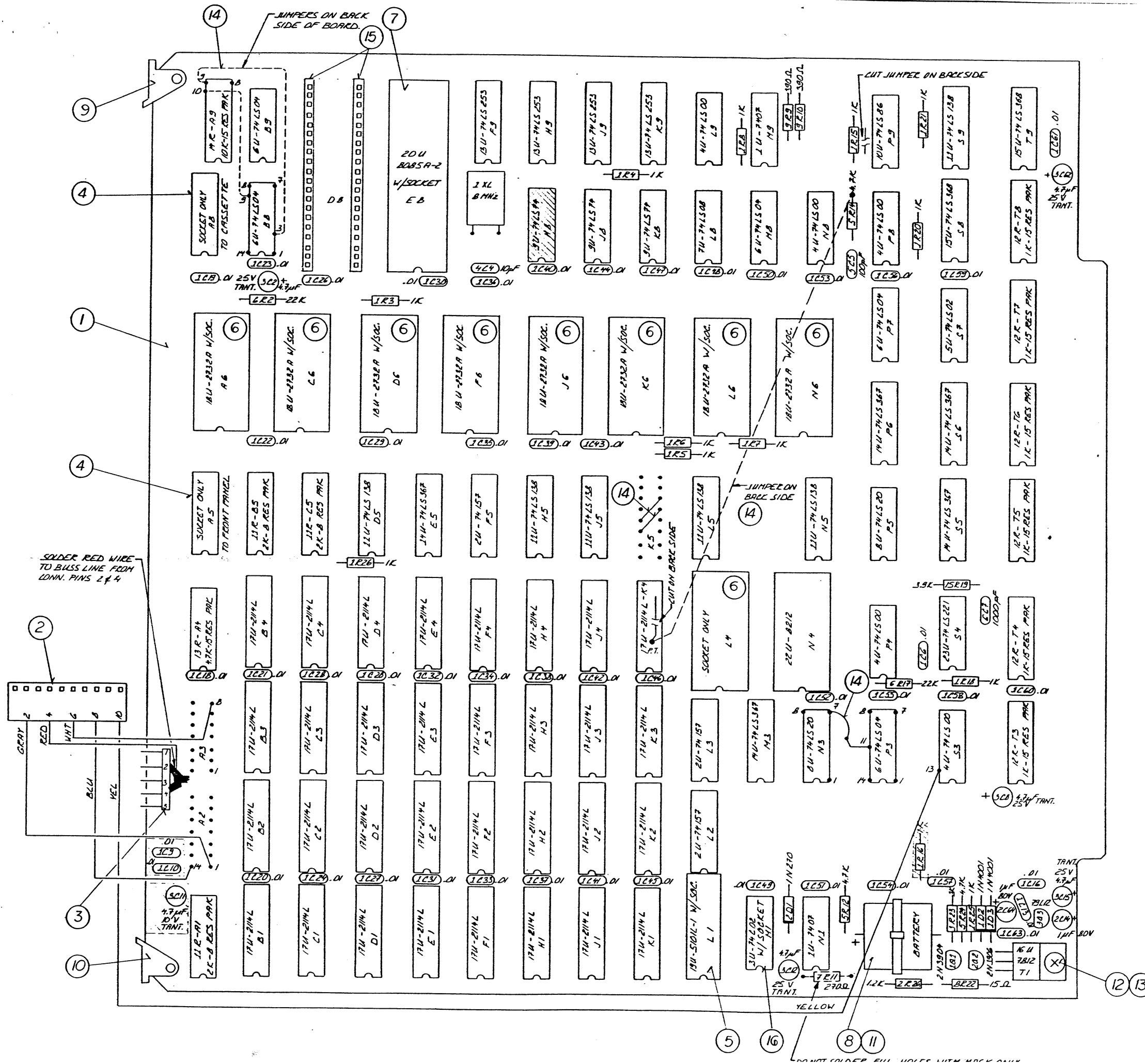
PCB 483

CPU SCHEMATIC

SCALE	NONE	CHECK BY	DATE
DRAWN BY	MK	DATE	4-24-80
APPROVED BY	C 14	DATE	4-30-80
PART NO.	901-133	REV	B
DRAWING NO.	001 SH.2 OF 2	ALT. NO.	C

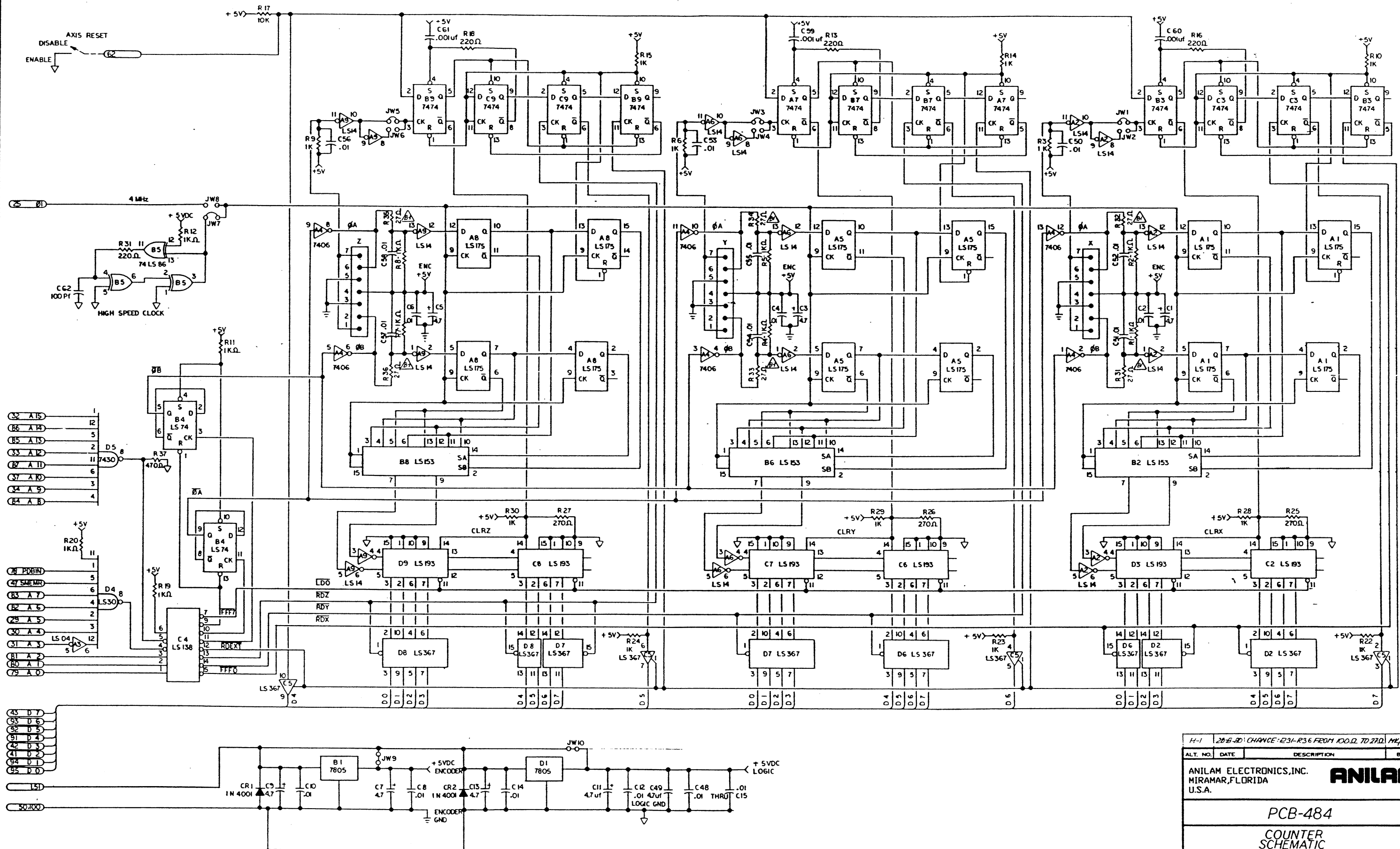
GENERAL NOTES

1. IC'S 2732 & 2732 A CAN BE INTERCHANGED.
2. DELETE ITEMS MARKED 

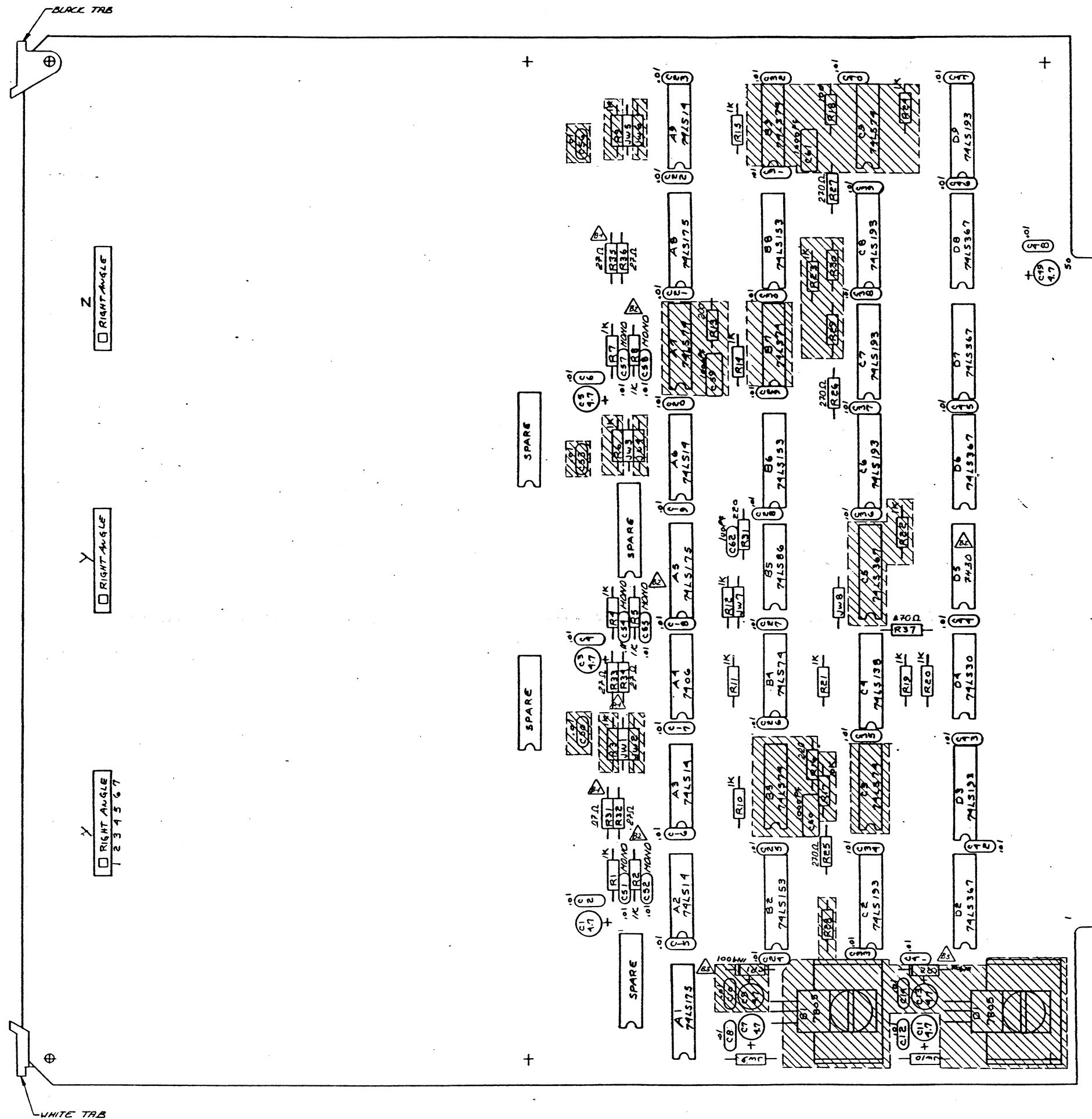


ALT. NO.	DATE	DESCRIPTION	BY
		ANILAM ELECTRONICS, INC. MIRAMAR, FLORIDA U.S.A.	ANILAM
ASSEMBLY			
PCB 483 COMMANDO CPU 16K-RS 232			
SCALE NAME	CHECK BY	DATE	
DRAWN BY MK	DATE 9.9.82	APPROVED BY CS	DATE 6/6/83
PART NO.	DRAWING NO.	ALT. NO.	

GENERAL NOTES



H-1 28-B-80 CHANGE R31-R36 FROM 100Ω TO 270Ω NIK/SE			
ALT. NO.	DATE	DESCRIPTION	BY
ANILAM ELECTRONICS, INC.		ANILAM	
MIRAMAR, FLORIDA			
U.S.A.			
PCB-484			
COUNTER SCHEMATIC			
SCALE	NONE	CHECK BY	DATE
DRAWN BY	NIK	DATE	4-29-80
APPROVED BY		DATE	
PART NO.	901-134	DRAWING NO.	001
		ALT. NO.	B-1



Z
RIGHT ANGLE

Y
RIGHT ANGLE

X
RIGHT ANGLE
1 2 3 4 5 6 7

SPARE

SPARE

COMP VIEW

B3	28.2.82	FORM 630 - DELETED (U) / 1122 - 114001	HK
B2	21.12.82	EN: 644 - ADDED MONO TO C57, C52, C54, C55, C57 & C58. IC-7430 WAS 74LS30.	HK
B-1	27-8-80	CHANGE: R31, R32 FROM 100Ω TO 27Ω	HK/SC

ALT. NO.	DATE	DESCRIPTION	BY
----------	------	-------------	----


ANILAM ELECTRONICS, INC.
MIRAMAR, FLORIDA
U.S.A.

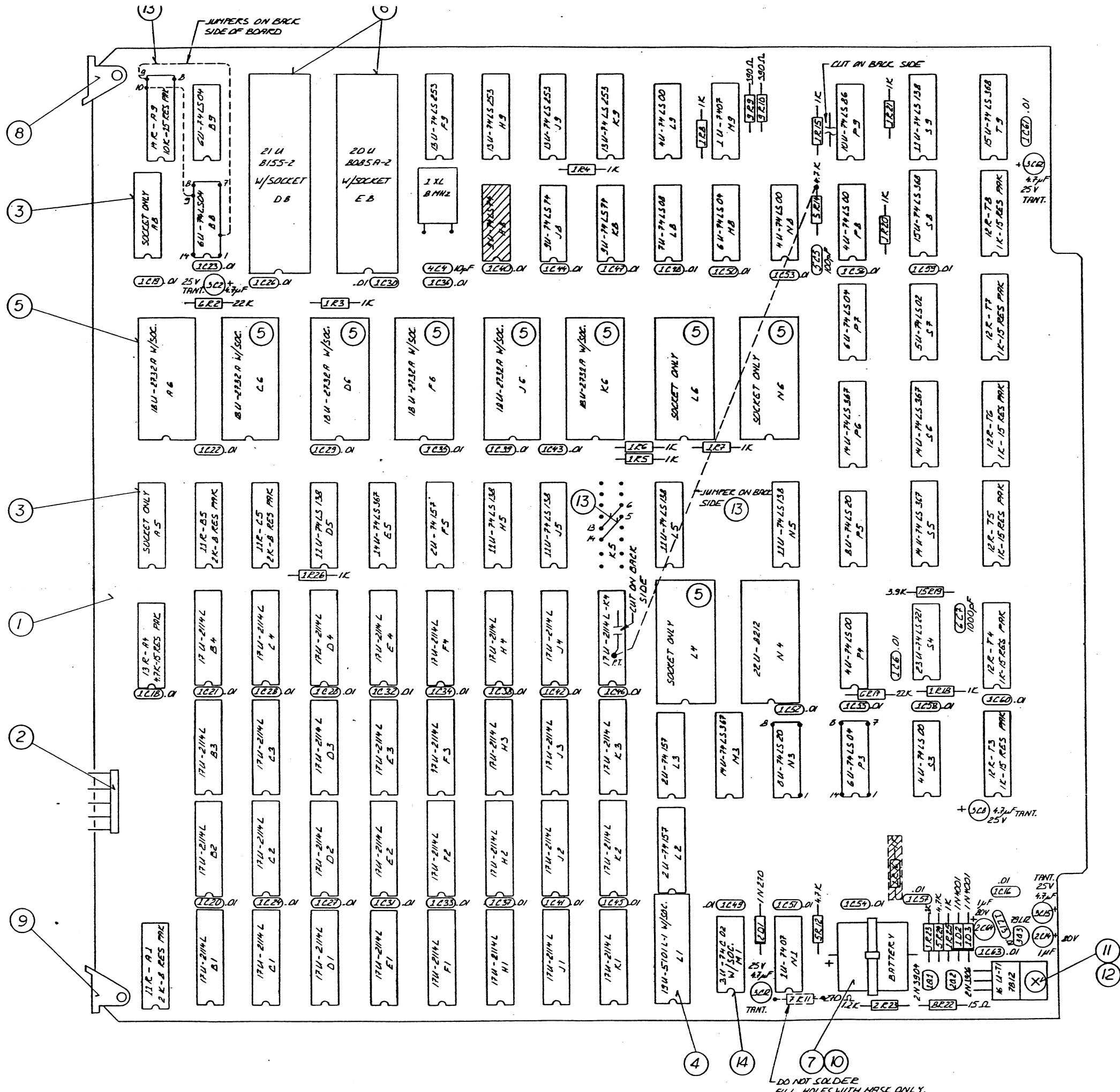


PCB-484

COUNTER - 3 AXIS ASS'Y

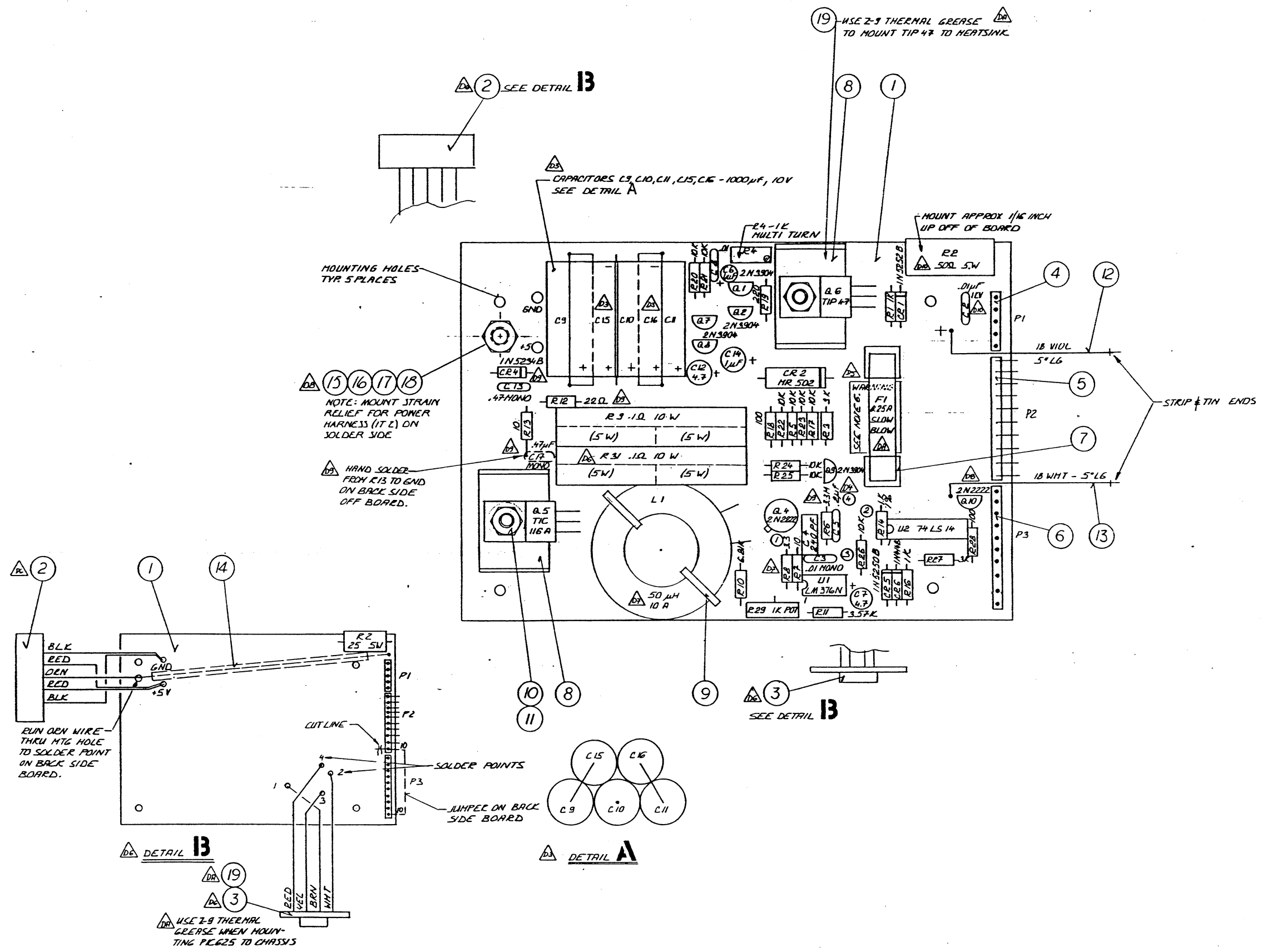
SCALE	2:1	CHECK BY	DATE
DRAWN BY	R.D.A.G.	DATE	2/25/80
APPROVED BY	H.H.B.	DATE	2/9/80
PART NO.	315-028	DRAWING NO.	001
ALT. NO.	B-1		

1. K'S 2132 & 2132A CAN BE INTERCHANGED.
 2. DELETE ITEMS MARKED 



ALT. NO.	DATE	DESCRIPTION	BY
		ANILAM ELECTRONICS, INC. MIRAMAR, FLORIDA U.S.A.	ANILAM
ASSEMBLY			
PCB 483 COMMANDO CPU 16K MEM.			
SCALE NONE	CHECK BY <i>CS</i>	DATE 1/15/72	
DRAWN BY <i>MIC</i>	DATE 9/9/72	APPROVED BY <i>CS</i>	DATE 9/4/72
PART NO. 310-014	DRAWING NO. 1 OF 1	ALT. NO. B	

- GENERAL NOTES**
1. FOR 0.5+0.6 MOUNT SCREEN HEAD ON SOLDER (BACK) SIDE OF BOARD.
 2. P1 + P3 - ARE STRAIGHT BERG STICKS.
 3. ALL CAPACITOR UNITS ARE IN μ Fs UNLESS OTHERWISE SPECIFIED.
 4. U1 (LM 305) CAN ALSO BE A TO-5 METAL CAN PACKAGE.
 5. C3 - DIM'D IS A HIGH Q MONOLITHIC CAP. (ANILAM # 303-049)
 6. APPLY 6.25A FUSE WARNING LABEL LENGTHWISE UNDER FUSE.



REV	DATE	DESCRIPTION	BY
DB	30.11.84	ECN: 84-052-810-2N2222 WAS 2N3904	HK/JS
DA	13.3.84	ECN: 84-004-ADDED NOTE #11.11. CHANGE FUSE 6.25A WAS 4A	HK/JS
D10	21.3.83	ECN: 750-R2-50Ω WAS 25Ω & R2-1KΩ WAS 50V.	HK/JS
D9	9.5.83	ECN: 710-R6-3.3M WAS 1.2M R12-22Ω WAS 220Ω CR4-1N5234B WAS 5231B & ADDED C1F-.47µF.	HK/JS
D8	6-2-82	C1N 571 ADDED STRAIN RELIEF FOR POWER HARNESS	JTW
D7	19.5.82	ECN: 549-L1-50µH WAS 60µH & R8-3.3Ω WAS 0.2Ω	HK/JS
D6	23.4.82	ECN: 523-ADDED R31 & TVO HARNESS ASS'Y & DETAIL B.	HK/JS
D5	14.4.82	ECN: 487-ADDED FUSE WAR LABEL & NOTE 6.	HK
D4	28.10.80	C5-.2µF WAS .02µF	HK
D3	15.10.80	ADDED DETAIL A & CAPAC. C15 & C16	HK & JS
D2	21.3.80	U1-LM376N WAS LM305	JTW
D1	7-23-80	60µH WAS 50µH & ADDED NOT. 4&5	HK
D	7-17-80	REDRAWN AND REVISED PER ECN 494	HK

ANILAM ELECTRONICS, INC.
MIRAMAR, FLORIDA
U.S.A.

ANILAM

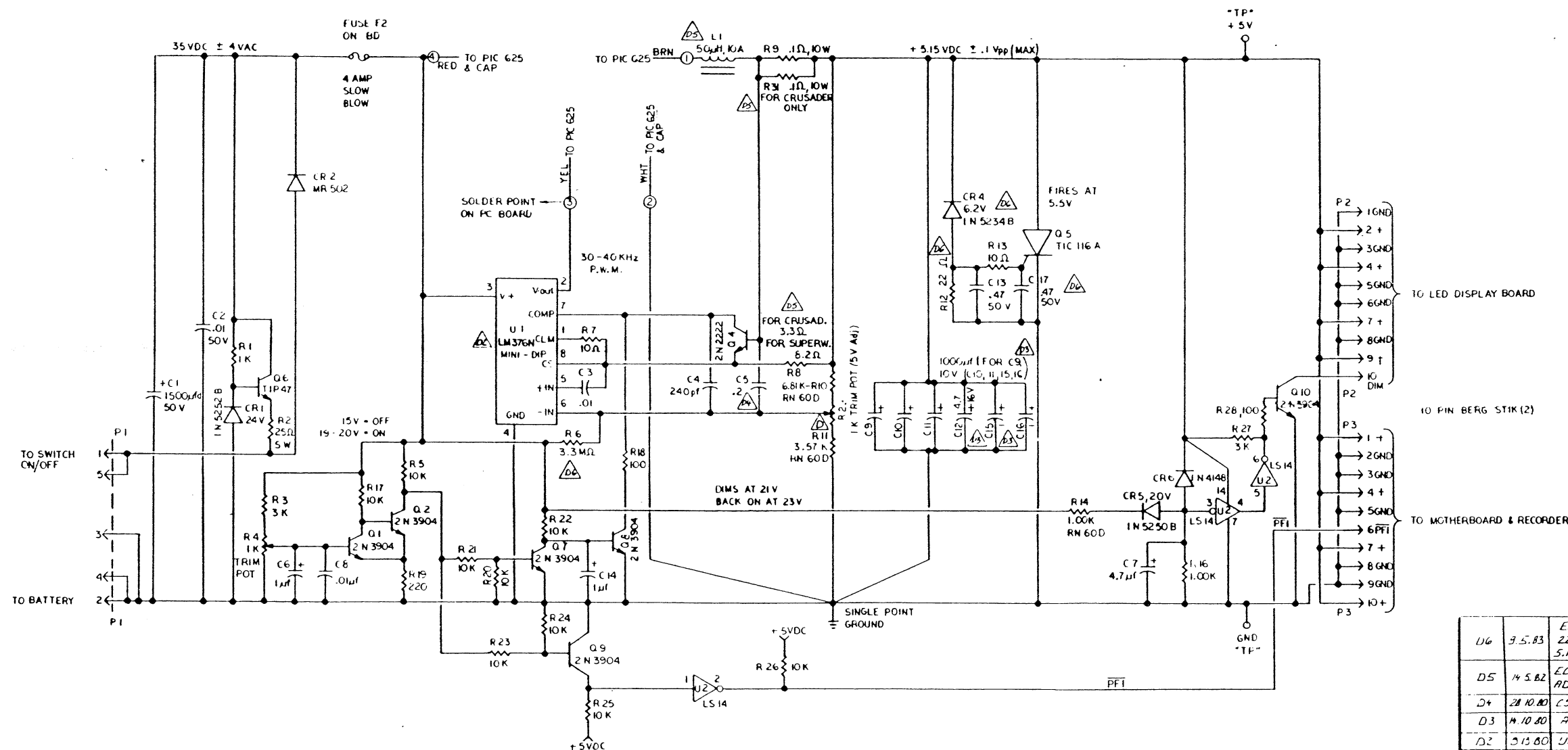
PCB 425

POWER SUPPLY ASSEMBLY

SCALE NONE	CHECK BY	DATE
DRAWN BY HK	DATE 17-7-80	APPROVED BY J.J.
PART NO. 315-011	DRAWING NO. 10F1	ALT. NO. DB

GENERAL NOTES

1. ALL RESISTORS 1/4W 5% UNLESS OTHERWISE NOTED.



ITEM	FIRST	LAST	NOT USED
C	C1	C17	
R	R1	R31	R15, R30
Q	Q1	Q10	Q3
CR	CR1	CR6	CR3

U6	3.5.83	ECN-710-RG-3.3MΩ WAS 12MΩ R12 22Ω WAS 220Ω CR4-6.2V-1N5234WAS 5.1V-1N5231B. ADDED C17	HK/LS
D5	4.5.82	ECN-543-L1-50µH WAS 60µH ADDED R8-3.3Ω & NOTE.	HK/LS
D4	28.10.80	C5-.2 WAS .02	HK
D3	4.10.80	ADDED C15 & C7	HK
D2	3.13.80	U1 LM376N WAS LM305	JTW
D1	7.23.80	CHANGE-60µH WAS 50µH	HK
D	7-17-80	REDRAWN AND REVISED PER ECN#34	HK

ALT. NO.	DATE	DESCRIPTION	BY
----------	------	-------------	----

ANILAM ELECTRONICS, INC.
MIRAMAR, FLORIDA
U.S.A.



PCB 425

SCHEMATIC

SCALE	DATE	CHECK BY	DATE
SCALE 1/2"=1"	DATE 17-7-80	APPROVED BY J. J.	DATE 7-18-80
DRAWN BY HK	PART NO. 901-117	DRAWING NO. 001	ALT. NO. D-6