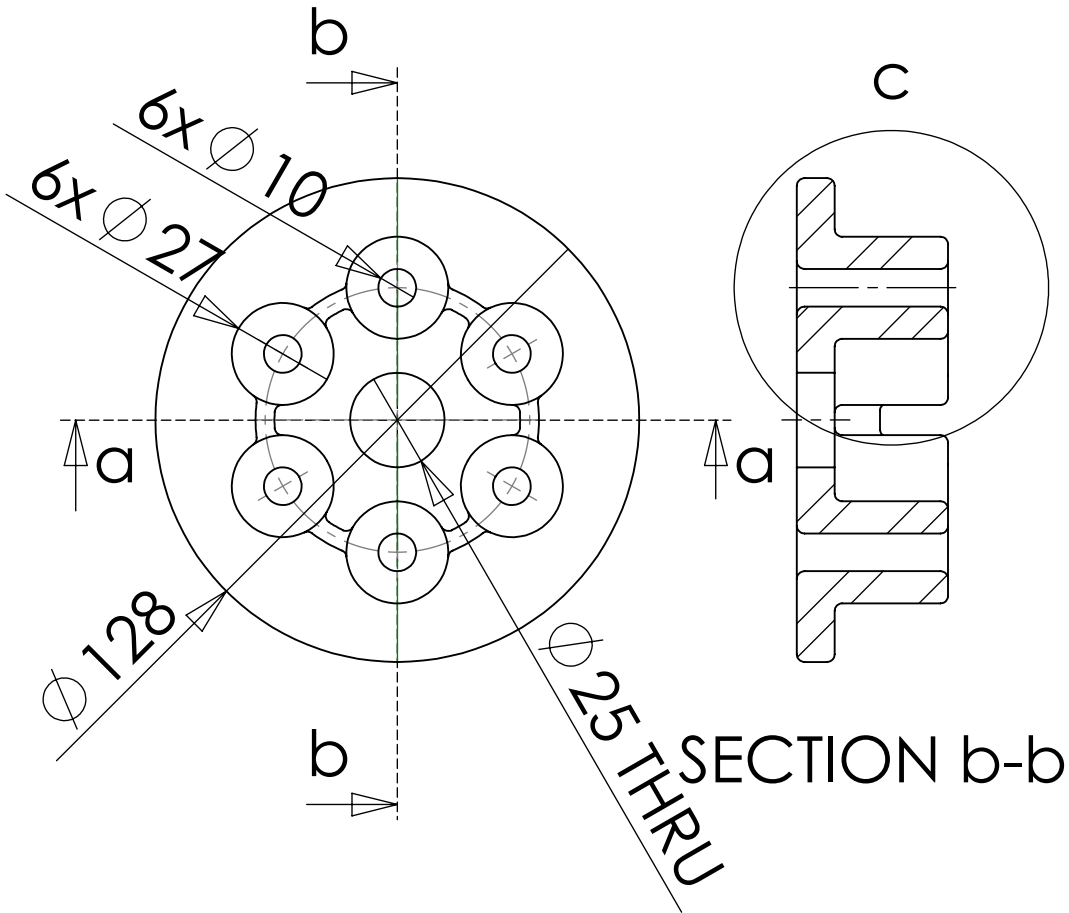
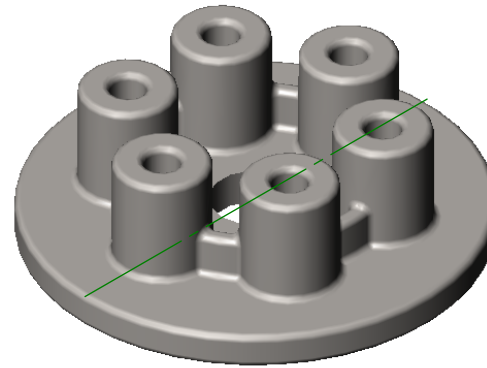
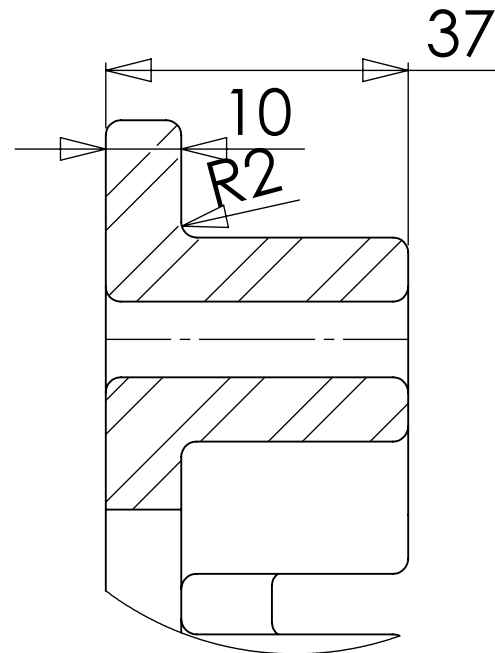


SECTION a-a



SECTION b-b



DETAIL C
SCALE 1 : 1